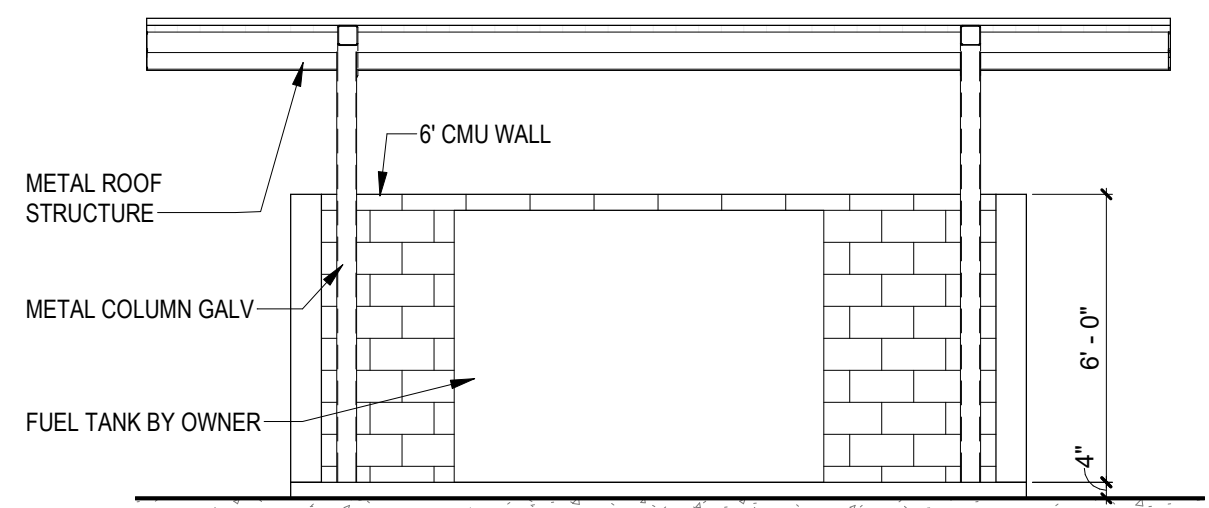
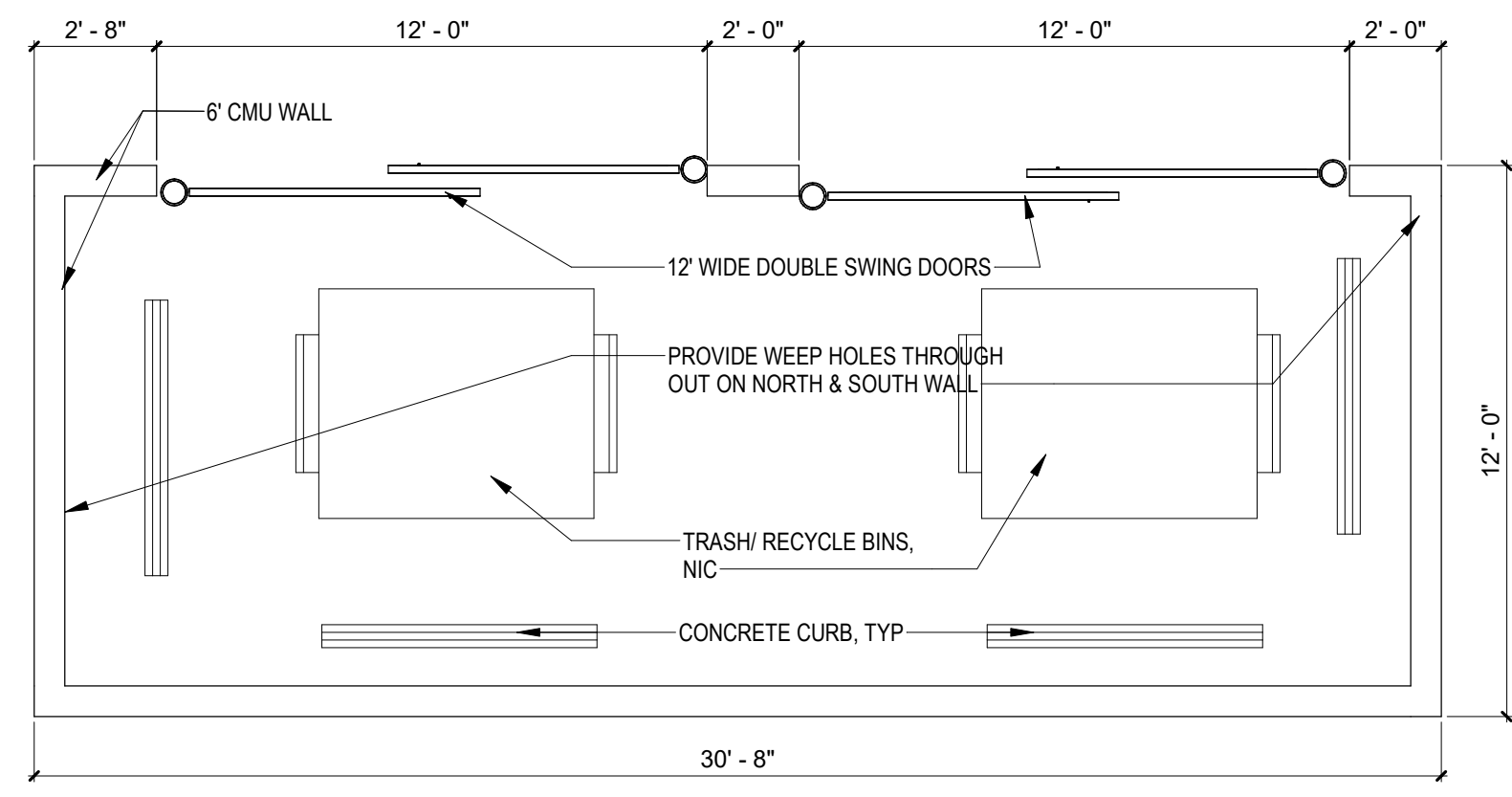


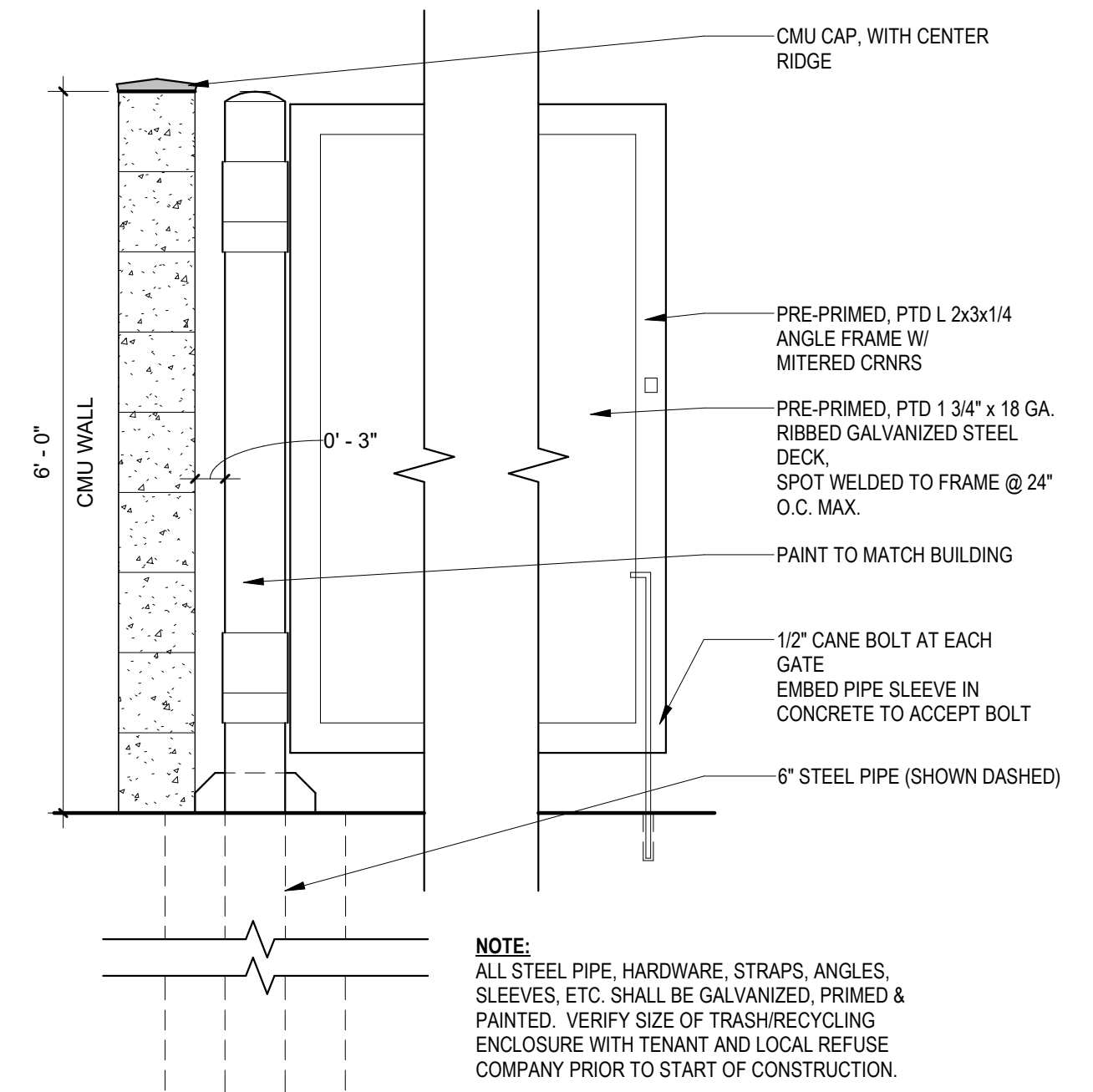
12 FUEL TANK SIDE ELEVATION
1/4" = 1'-0" 1 /A1.01



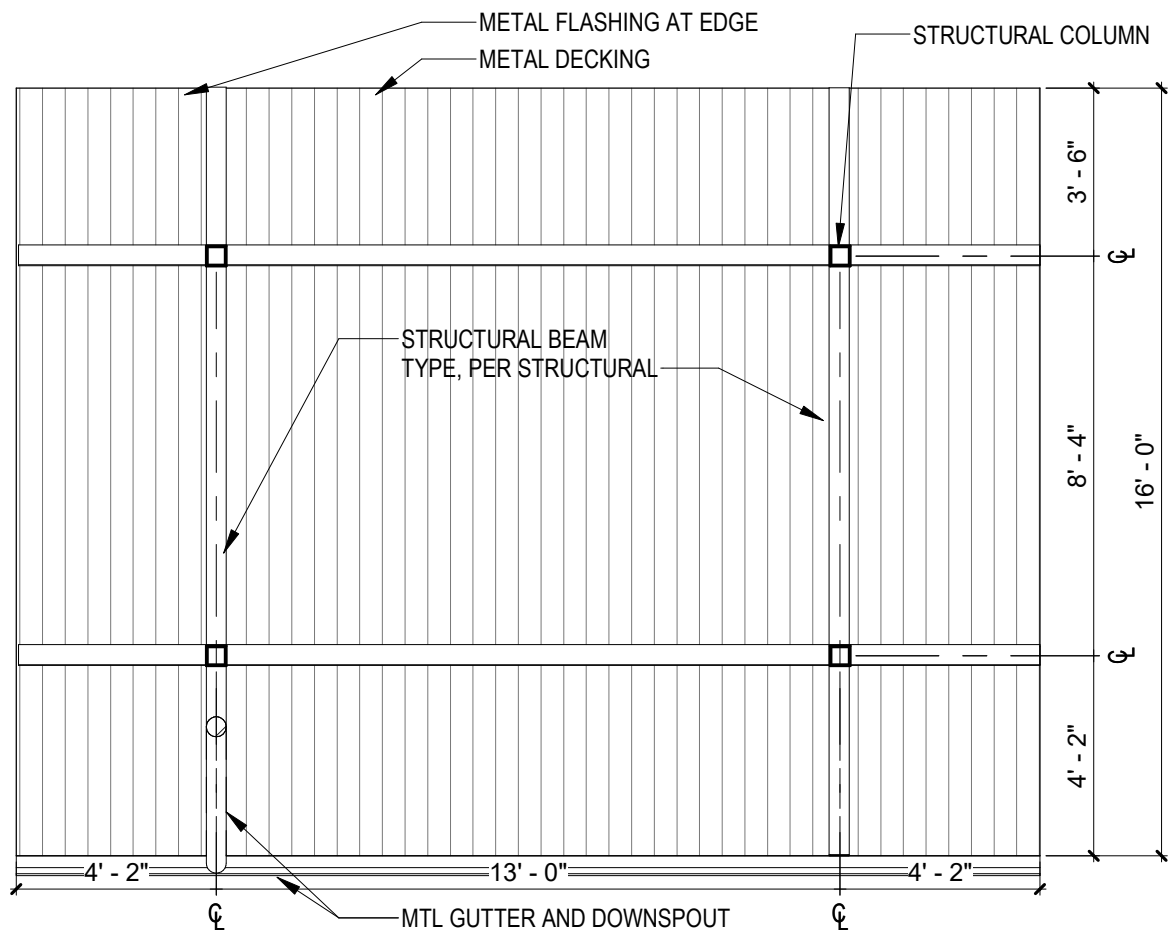
7 FUEL TANK FRONT ELEVATION
1/4" = 1'-0" 1 /A1.01



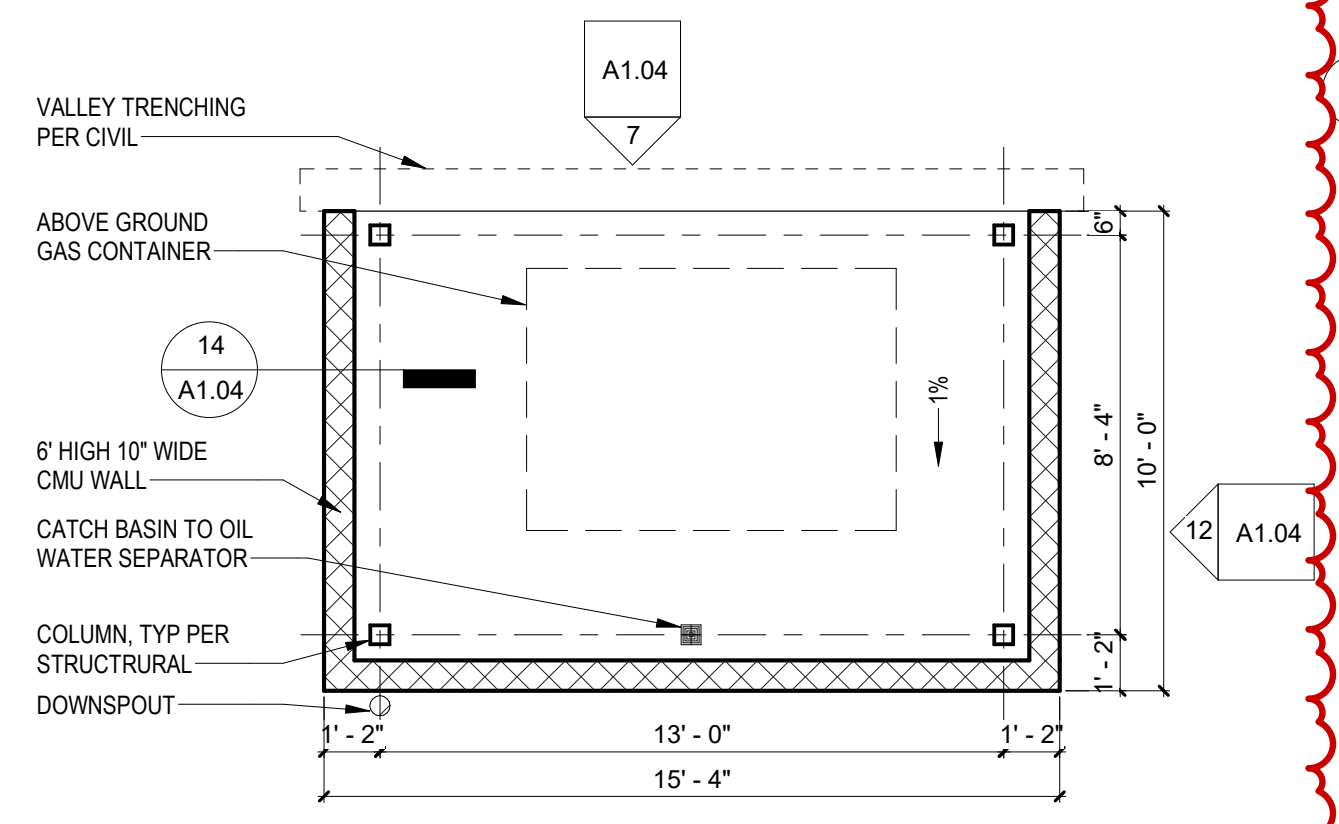
4 TRASH AND RECYCLE BIN
1/4" = 1'-0" 2 /A2.01



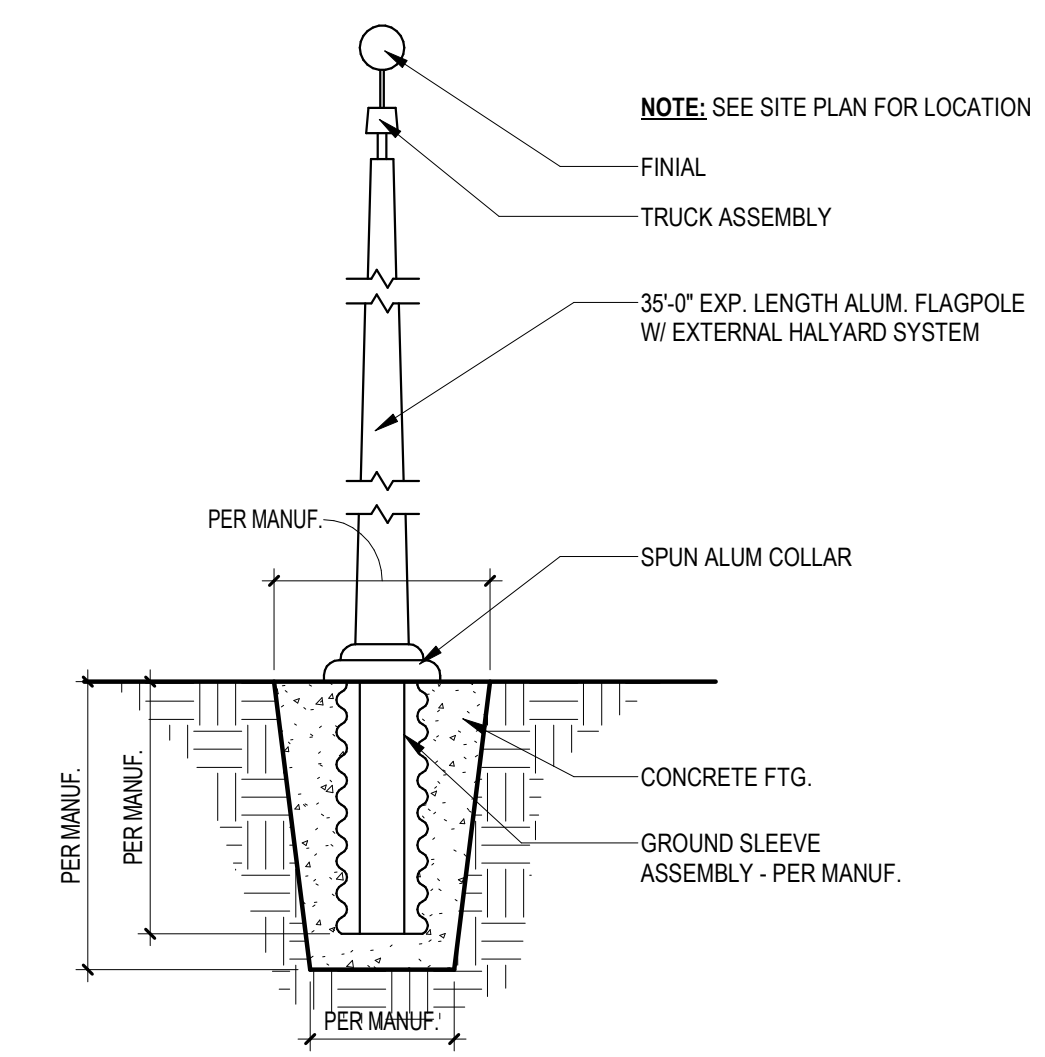
1 TRASH ENCLOSURE GATE
3/4" = 1'-0" 1 /A1.01



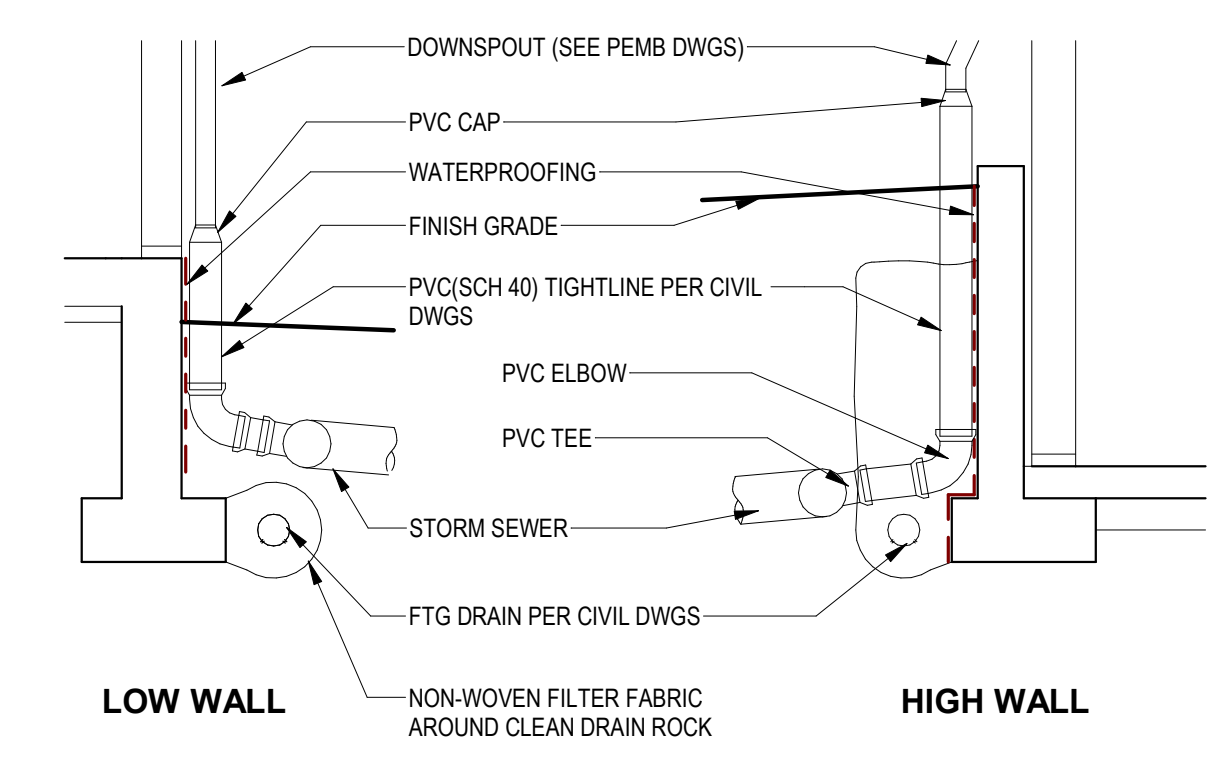
13 FIRST FLOOR REFLECTED PLAN
1/4" = 1'-0" 2 /A2.01



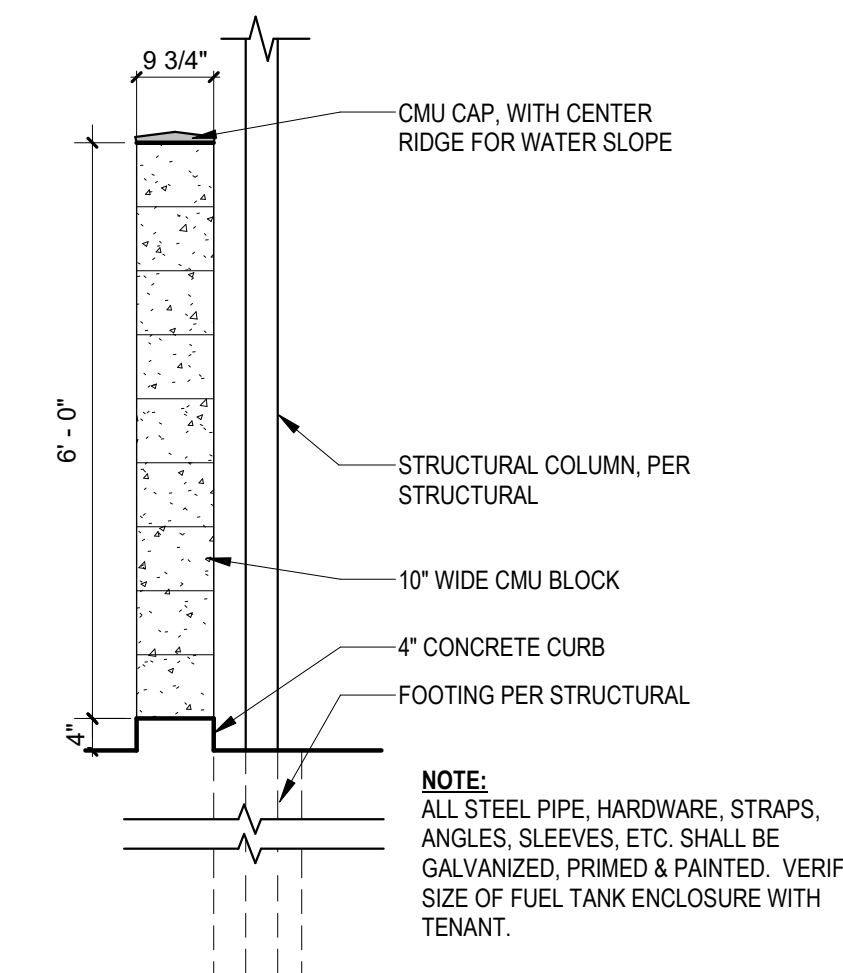
8 FUEL TANK PLAN
1/4" = 1'-0" 1 /A1.01



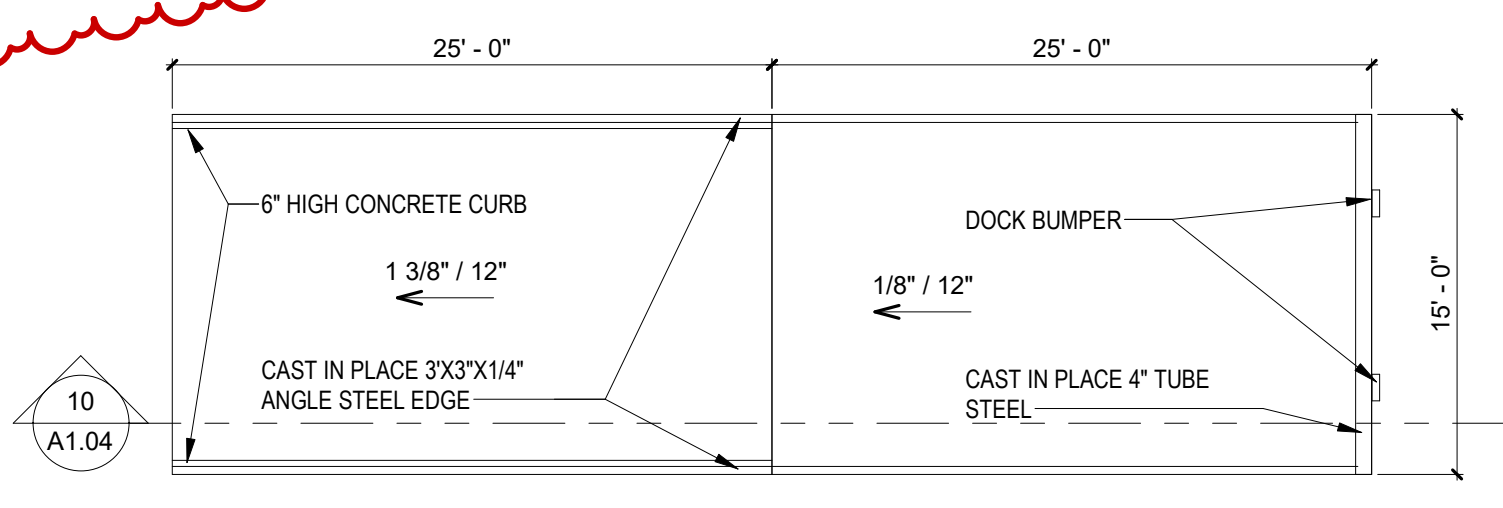
5 FLAG POLE
3/8" = 1'-0"



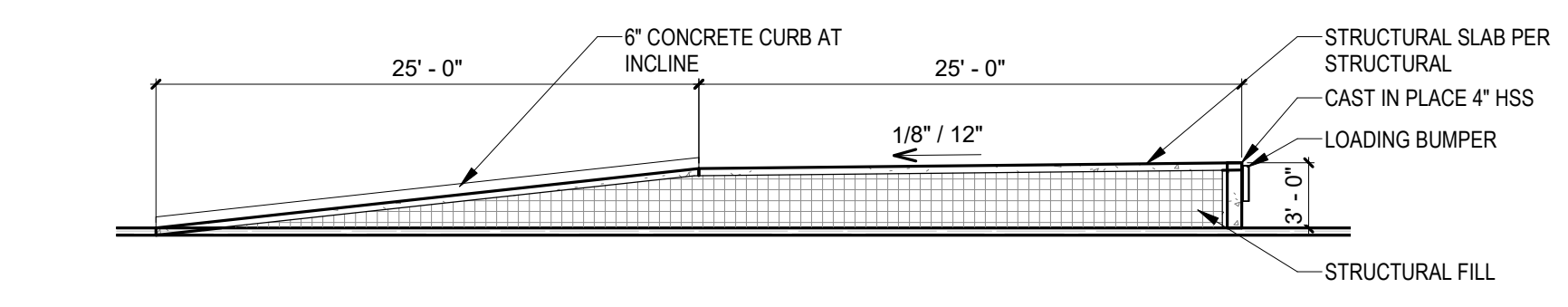
2 FOUNDATION TIGHT LINE
1/2" = 1'-0"



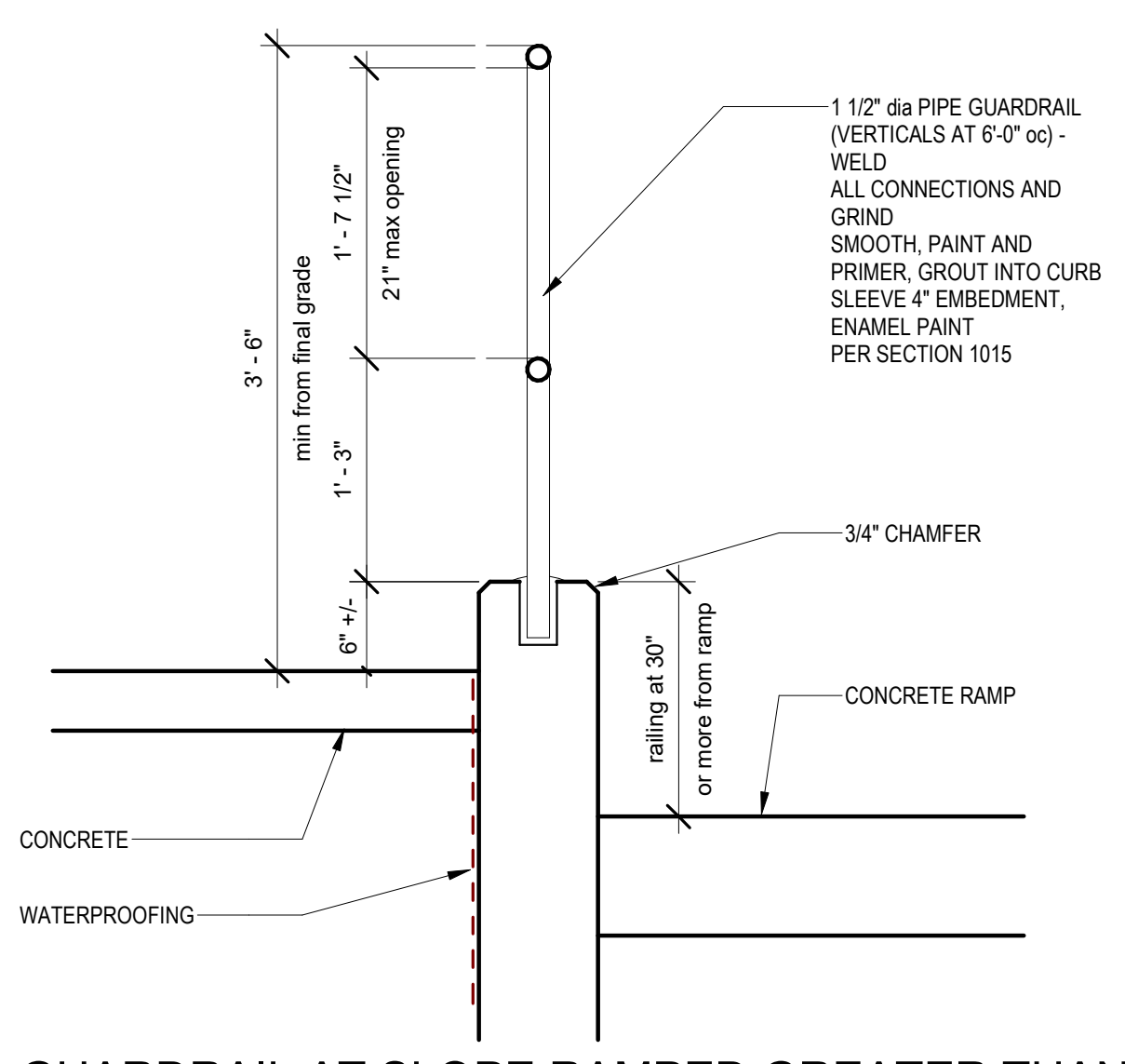
14 FUEL TANK CMU WALL
1/2" = 1'-0" 8 /A1.04



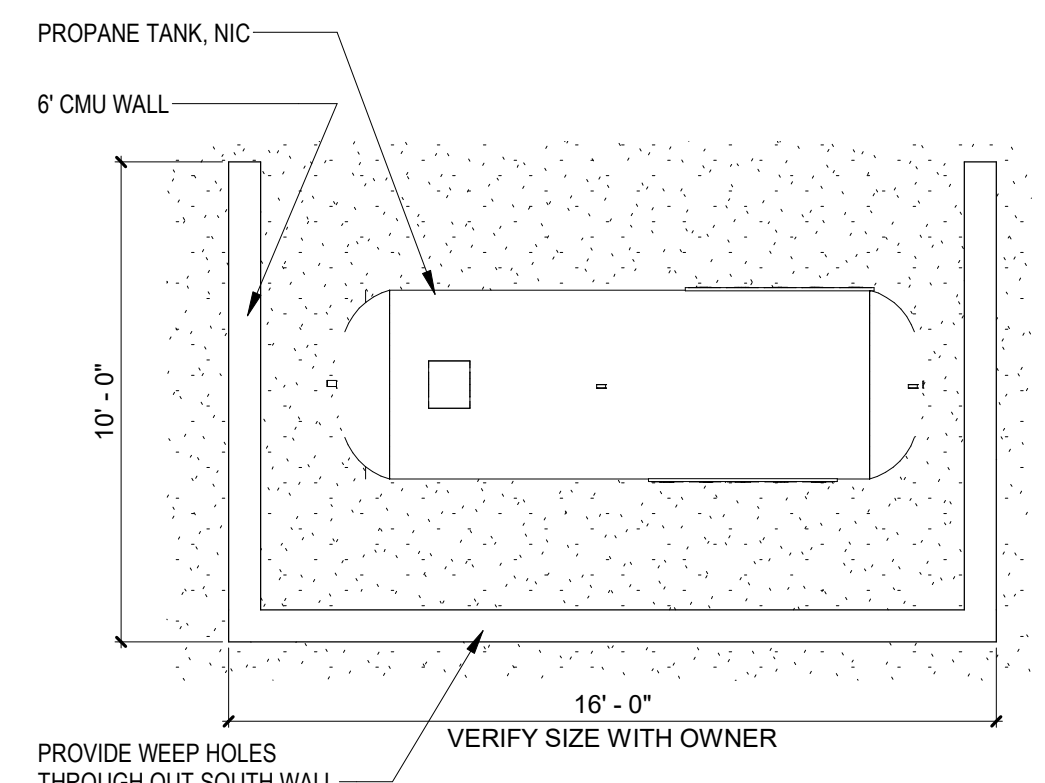
9 EQUIPMENT LOADING RAMP PLAN
1/8" = 1'-0" 1 /A1.01



10 EQUIPMENT LOADING RAMP SECTION
1/8" = 1'-0" 9 /A1.04



6 GUARDRAIL AT SLOPE RAMPED GREATER THAN 18"
1" = 1'-0"




11 PROPANE TANK
1/4" = 1'-0" 1 /A1.01



ARCHITECTS
PLLC
601 St. Helens
Tacoma, Washington 98402
Phone: (253) 922-4168

Project Title




**N C MACHINERY
LACEY BUILDING**

8411 31ST AVE NE,
LACEY, WA 98516

Sheet Title

SITE DETAILS

Project Number: 21-2337

DATE: 06/06/22

Drawn: Author


Checked: Checker

Scale: As indicated

REVISIONS:

Rev#	Rev Date	Description
6	03/04/22	DESIGN REVISION 4

2385 REGISTERED ARCHITECT



ROGER A. HANSEN
STATE OF WASHINGTON

06/06/22

CONSTRUCTION SET

A1.04

NOTE: THESE DRAWINGS ARE PRODUCED EXCLUSIVELY FOR USE BY HHJ CONSTRUCTION INC. AND FOR PERMIT APPLICATION ONLY. ADDITIONAL DETAILING AND ENGINEERING SHALL BE REQUIRED BY ANY OTHER CONTRACTOR TO COMPLETE THE DRAWINGS TO "FOR CONSTRUCTION" PURPOSES.

PLOT: 6/16/2022 1:07:48 PM