

POINT SHALL BE DRILLED TO A DEPTH OF 3/16" MINIMUM.

GENERAL NOTES:

1. THIS MOUNUMENT TO BE USED PRIMARILY ON BITUMINOUS OR ASPHALT CONCRETE PAVEMENT FOR USE PRIMARILY IN SUBDIVISIONS AND MINOR ARTERIALS.
2. THE CONCRETE BASE SHALL BE 8" IN DIAMETER AND CORE DRILLED. CONCRETE BASE NEED NOT BE FORMED.
3. CAP SHALL BE BRASS, ALUMINUM OR OTHER NON-FERROUS METAL, MINIMUM 2 1/2 " DIAMETER
4. CONCRETE TO BE PLACED ON A FIRM AND UNYIELDING FOUNDATION.
5. MONUMENT POSTION SHALL BE SET BY A PROFESSIONAL LAND SURVEYOR LICENSED BY THE STATE OF WASHINGTON WHOSE CERTIFICATE NUMBER SHALL BE STAMPED ON CAP.
6. SUFFICIENT FERROUS METAL SHALL BE PLACED IN CONCRETE TO ALLOW DETECTION BY A METAL DETECTOR.

**CITY OF LACEY, WASHINGTON
DEPT. OF PUBLIC WORKS**

**CAST IN PLACE
MONUMENT**

APPROVED

Roger A. Schoenel
CITY ENGINEER

DWG. NO.

4-20

DES

MKB

DWN

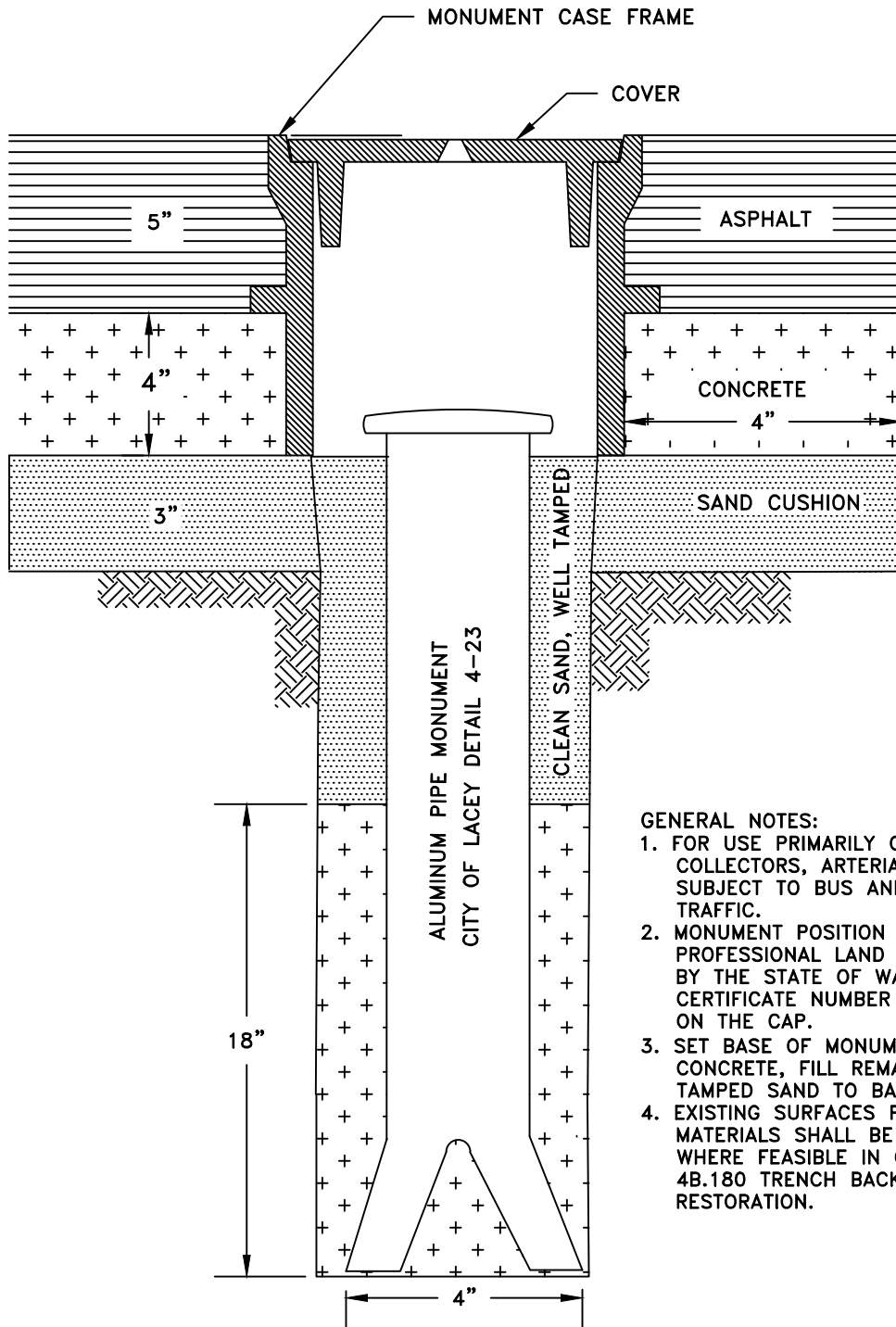
WHO

CKD

MKB

DATE

12/15/2014

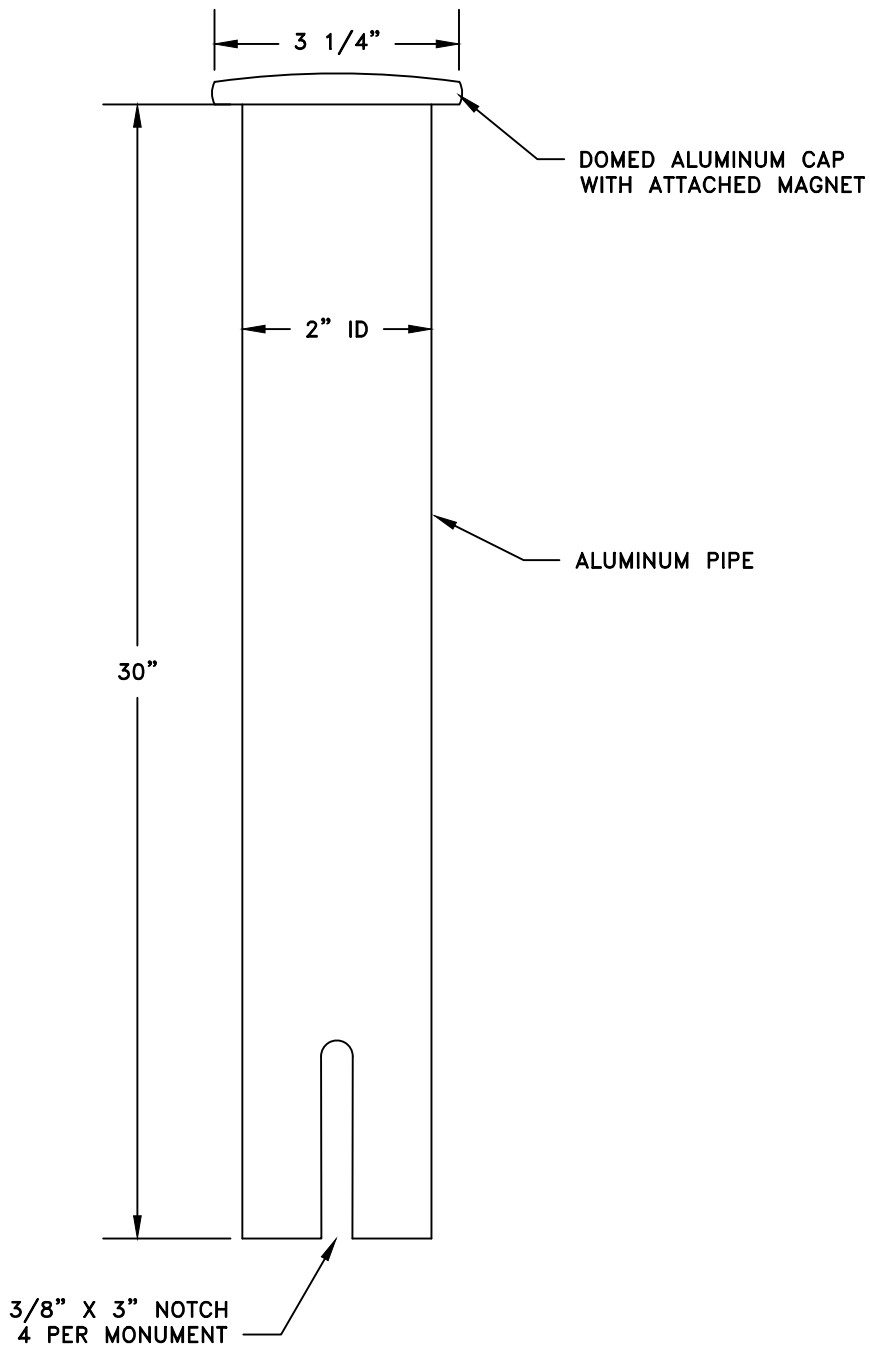


GENERAL NOTES:

1. FOR USE PRIMARILY ON MAJOR & MINOR COLLECTORS, ARTERIALS, AND STREETS SUBJECT TO BUS AND COMMERCIAL TRUCK TRAFFIC.
2. MONUMENT POSITION SHALL BE SET BY A PROFESSIONAL LAND SURVEYOR LICENSED BY THE STATE OF WASHINGTON WHOSE CERTIFICATE NUMBER SHALL BE STAMPED ON THE CAP.
3. SET BASE OF MONUMENT IN 18" OF CONCRETE, FILL REMAINING SPACE WITH TAMPED SAND TO BASE OF CASE FRAME.
4. EXISTING SURFACES PAVED WITH PERMEABLE MATERIALS SHALL BE REPLACED IN-KIND WHERE FEASIBLE IN CONFORMANCE WITH 4B.180 TRENCH BACKFILL AND RESTORATION.

FLARE BOTTOM 3" OF PIPE
PRIOR TO INSTALLATION

CITY OF LACEY, WASHINGTON DEPT. OF PUBLIC WORKS			
PIPE MONUMENT & CASE INSTALLATION			
APPROVED <i>Ryan A. Schwan</i> CITY ENGINEER		DWG. NO. 4-22	
DES. LJH	DWN. LJH	CKD. RAS	DATE 08/24/2017



GENERAL NOTES:

1. PIPE MONUMENTS SHALL BE BERNSTEN A1NBF OR EQUIVALENT.
2. BOTTOM OF MONUMENT SHALL BE FLARED PRIOR TO INSTALLATION.

DG4-23.DWG

**CITY OF LACEY, WASHINGTON
DEPT. OF PUBLIC WORKS**

**ALUMINUM PIPE
MONUMENT**

APPROVED

Reg A Schoenel

CITY ENGINEER

DWG. NO.

4-23

DES.

LJH

DWN.

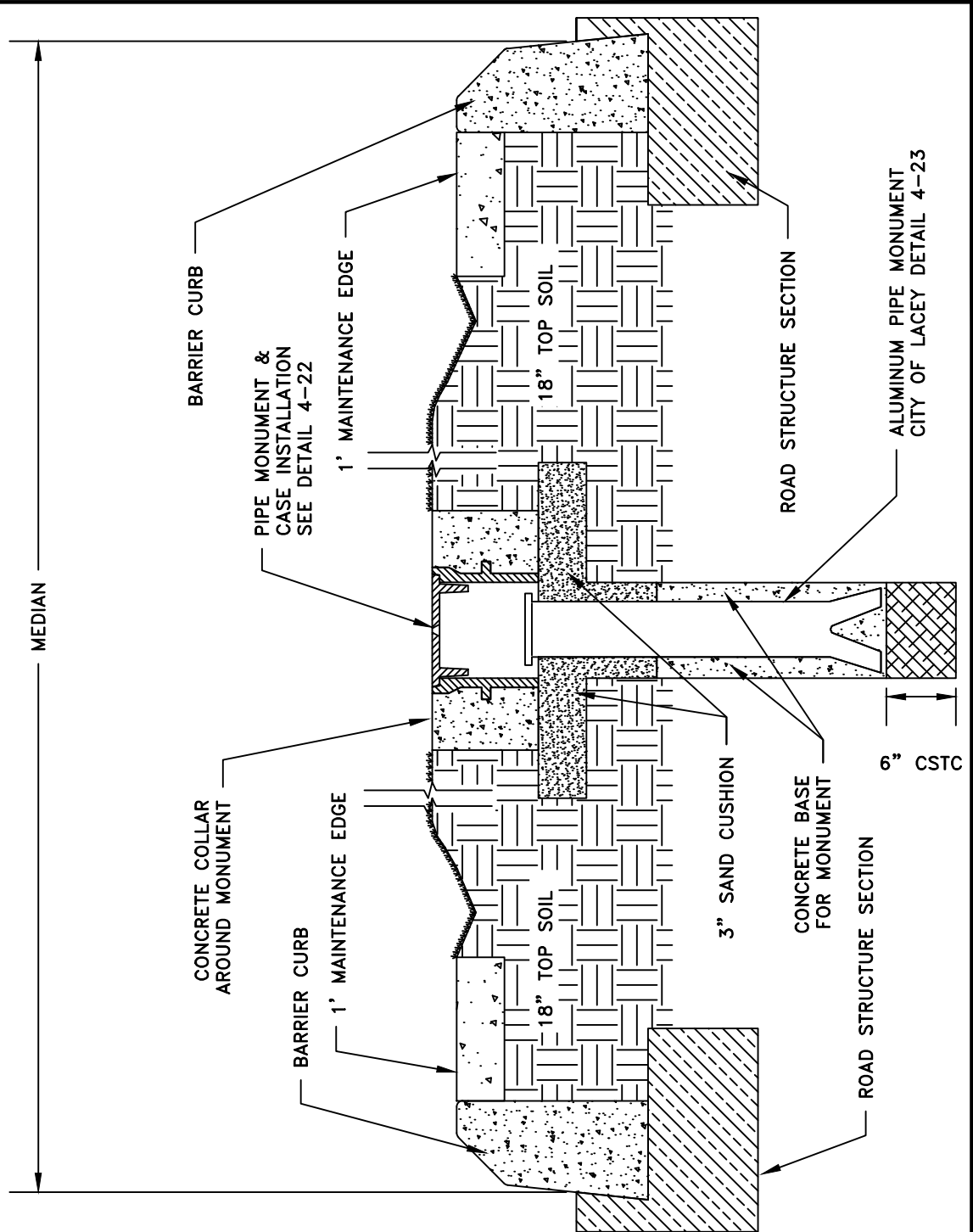
LJH

CKD.

MB

DATE

12/15/2014



CITY OF LACEY, WASHINGTON
DEPT. OF PUBLIC WORKS

MONUMENT IN MEDIAN

APPROVED

Rog A Schoenel

CITY ENGINEER

DWG. NO.

4-24

DES.
WHO

DWN.
WHO

CKD.
RAS

DATE
12/15/2014