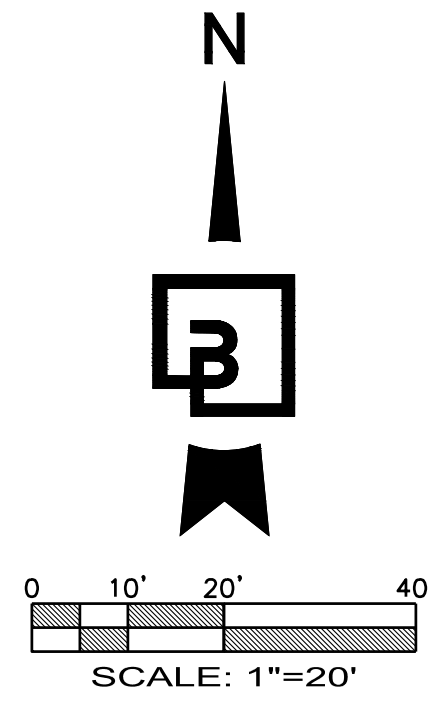


LANDSCAPE PLAN - WEST



REQUIREMENTS

ALL COMMERCIAL PROJECTS OVER ONE ACRE IN SIZE ARE REQUIRED TO RETAIN OR REPLANT TREE TRACTS EQUALING A MINIMUM OF 5% OF GROSS SITE AREA
 182,000 X 0.05 = 9,100 SF TREE TRACT AREA REQUIRED, 14,073 SF PROVIDED

ALL COMMERCIAL PROJECTS ARE REQUIRED TO PROVIDE TWO TREES PER 10,000 SF OF GROSS SITE AREA
 182,000 X 0.0001 = 18 X 2 = 36 REPLACEMENT TREES REQUIRED, 36 PROVIDED

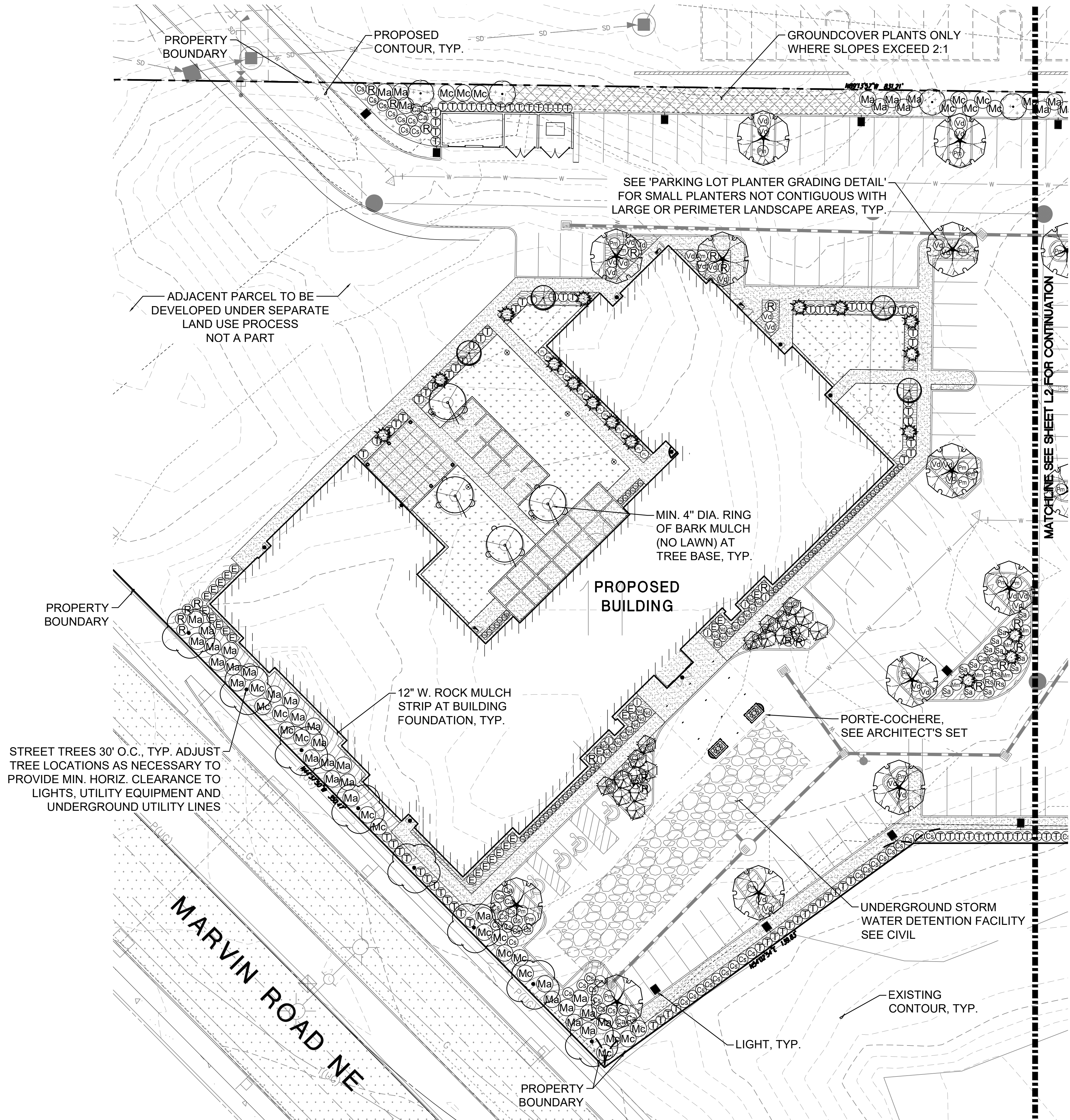
ALL SETBACK AREAS ADJACENT TO PUBLIC STREETS ARE REQUIRED TO BE LANDSCAPED
 SEE LANDSCAPE PLAN

8' W. TYPE II LANDSCAPING REQUIRED AT SITE PERIMETER
 SEE LANDSCAPE PLAN

5' W. TYPE II LANDSCAPING REQUIRED ADJACENT TO BUILDINGS
 SEE LANDSCAPE PLAN

SHEET INDEX

LANDSCAPE PLAN - WEST	L1 (THIS SHEET)
LANDSCAPE PLAN - EAST	L2
PLANT SCHEDULE AND LANDSCAPE NOTES	L3
LANDSCAPE DETAILS	L4
IRRIGATION PLAN - WEST	L5
IRRIGATION PLAN - EAST	L6
IRRIGATION DETAILS	L7
IRRIGATION DETAILS	L8

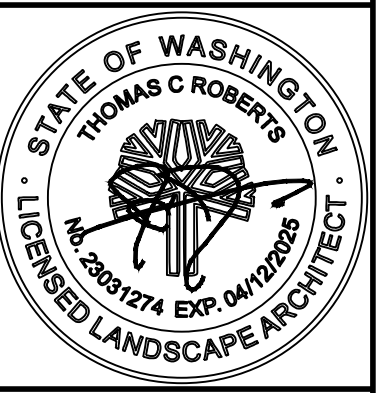


SEE SHEET L3 FOR PLANT SCHEDULE

Revision	
Appr.	
Clad.	
By	
Date	
No.	

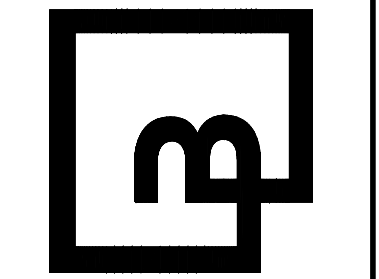
LANDSCAPE PLAN WEST

For:
 HOMEWOOD SUITES
 111 GATEWAY ENTERPRISES, LLC
 9632 6TH WAY SE
 LACEY, WA 98513



Scale:	Horizontal	Vertical
	1"=20'	
Designed	TCR	
Drawn	TCR	
Checked	JMW	
Approved	TCR	
Date	2/13/2024	

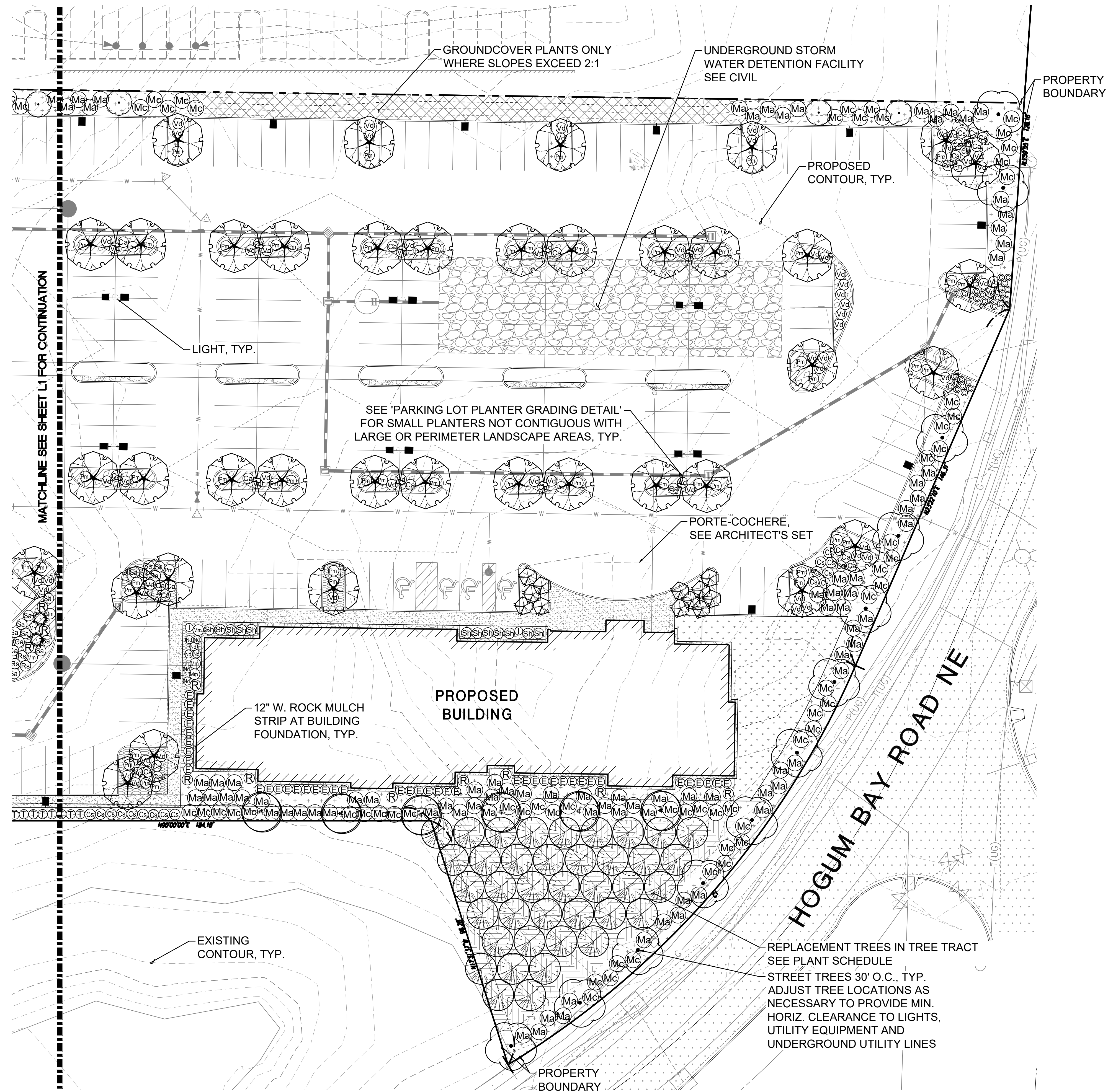
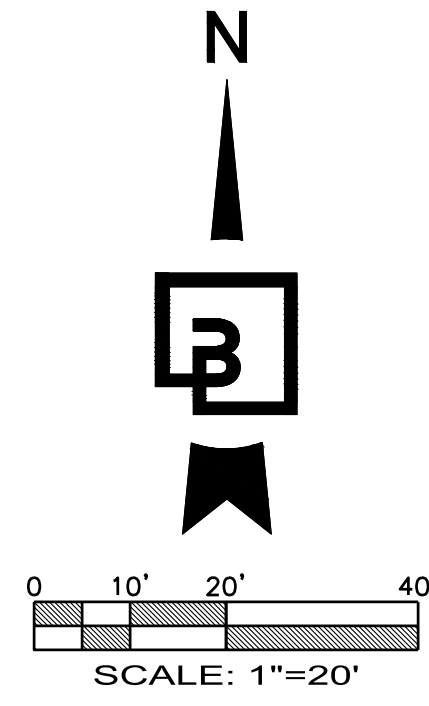
Barghausen Consulting Engineers, Inc.
 18215 72nd Avenue South
 Kent, WA 98032
 425.251.6222
barghausen.com



Job Number	22856
Sheet	L1 of 8

P:\22000s\22856\engineering\22856-Ldwg 2/14/2024 8:55 AM TROBERTS

LANDSCAPE PLAN - EAST



SEE SHEET L3 FOR PLANT SCHEDULE

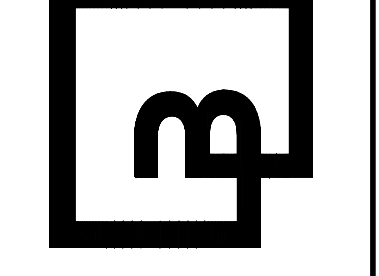
Revision
Title: LANDSCAPE PLAN EAST

For: HOMEWOOD SUITES
111 GATEWAY ENTERPRISES, LLC
9632 6TH WAY SE
LACEY, WA 98513



Scale: Horizontal 1"=20' Vertical
Designed TCR
Drawn TCR
Checked JMW
Approved TCR
Date 2/1/2024

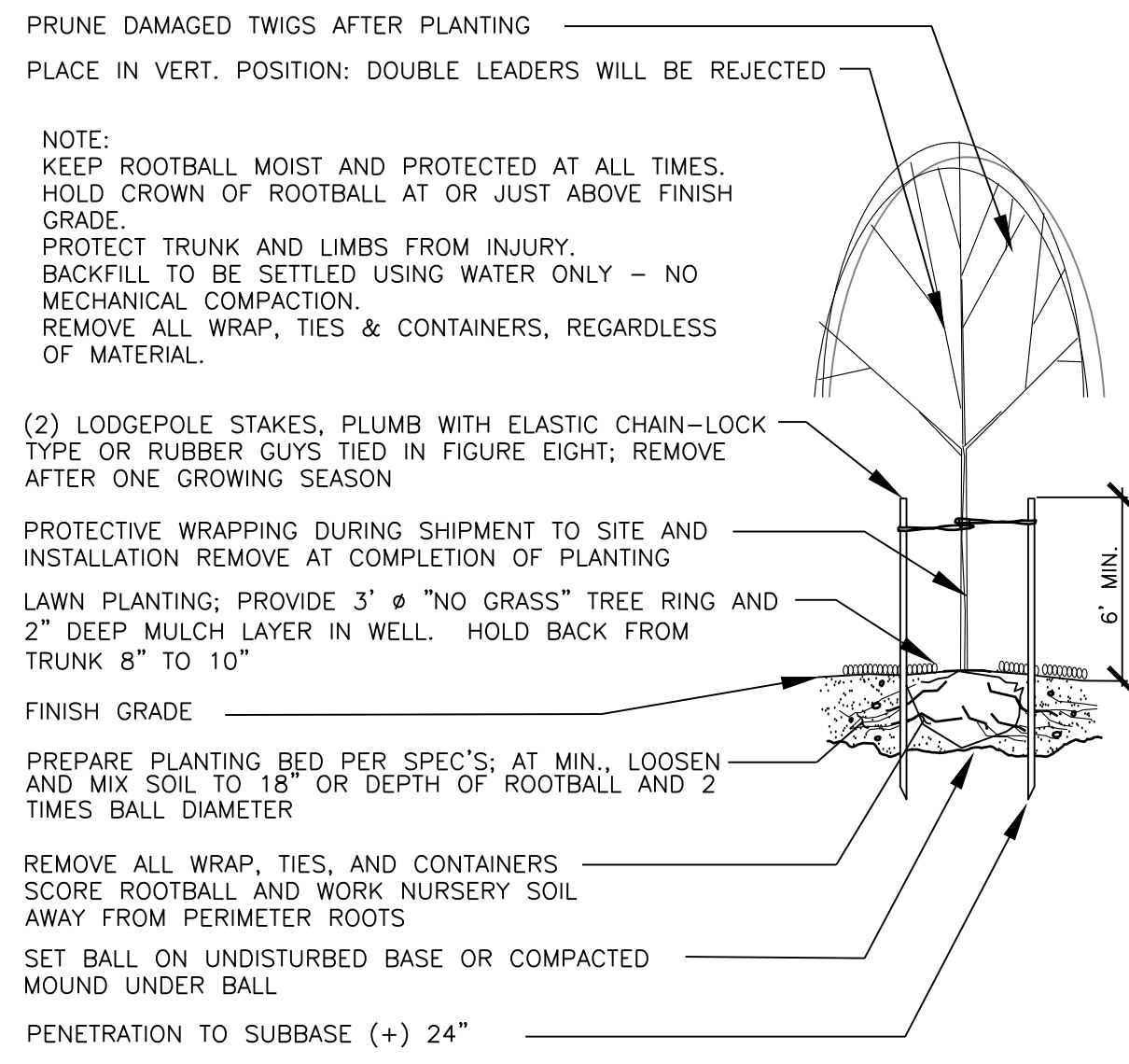
Barghausen Consulting Engineers, Inc.
18215 72nd Avenue South
Kent, WA 98032
425.251.6222
barghausen.com



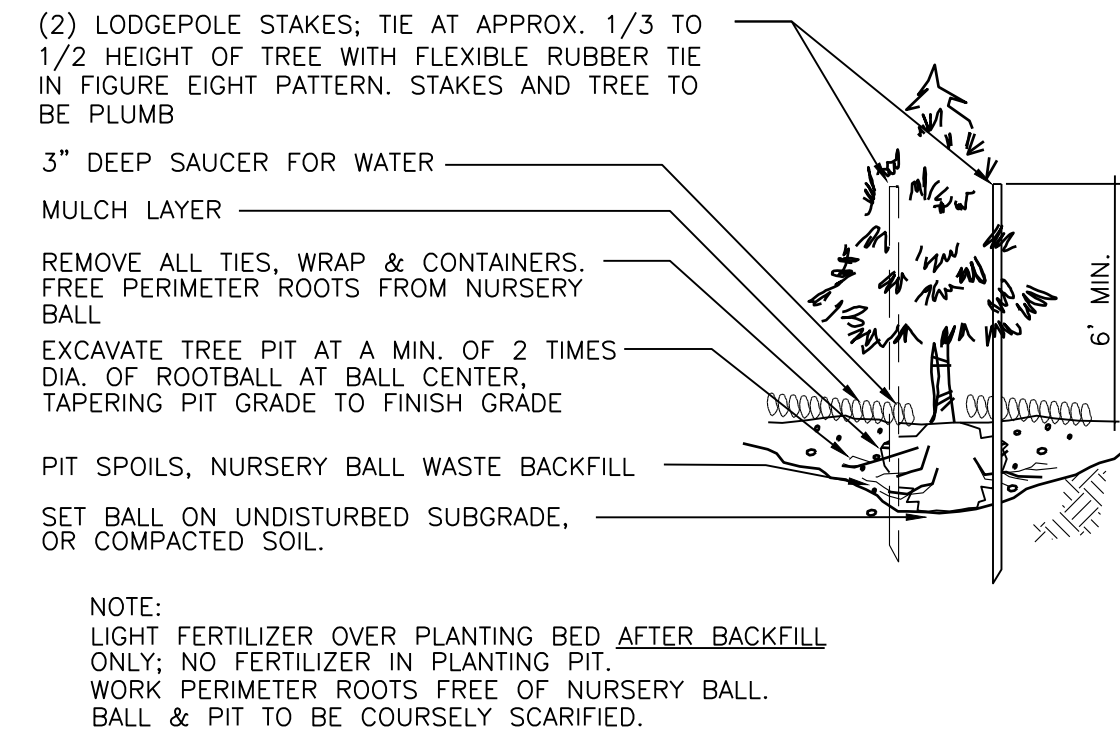
Job Number 22856
Sheet L2 of 8

P:\22000s\22856\engineering\22856-Ldwg 2/14/2024 8:55 AM TROBERTS

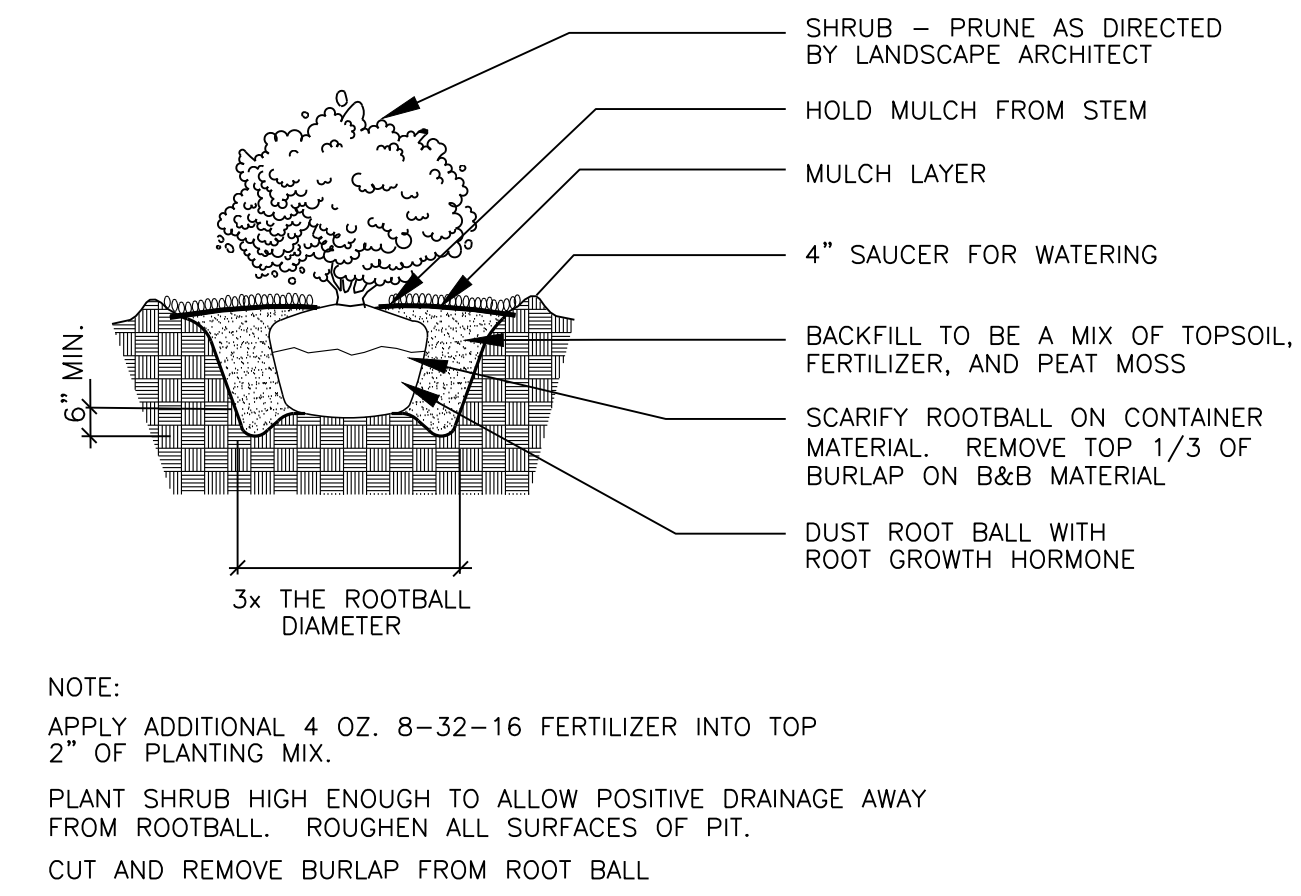
LANDSCAPE DETAILS



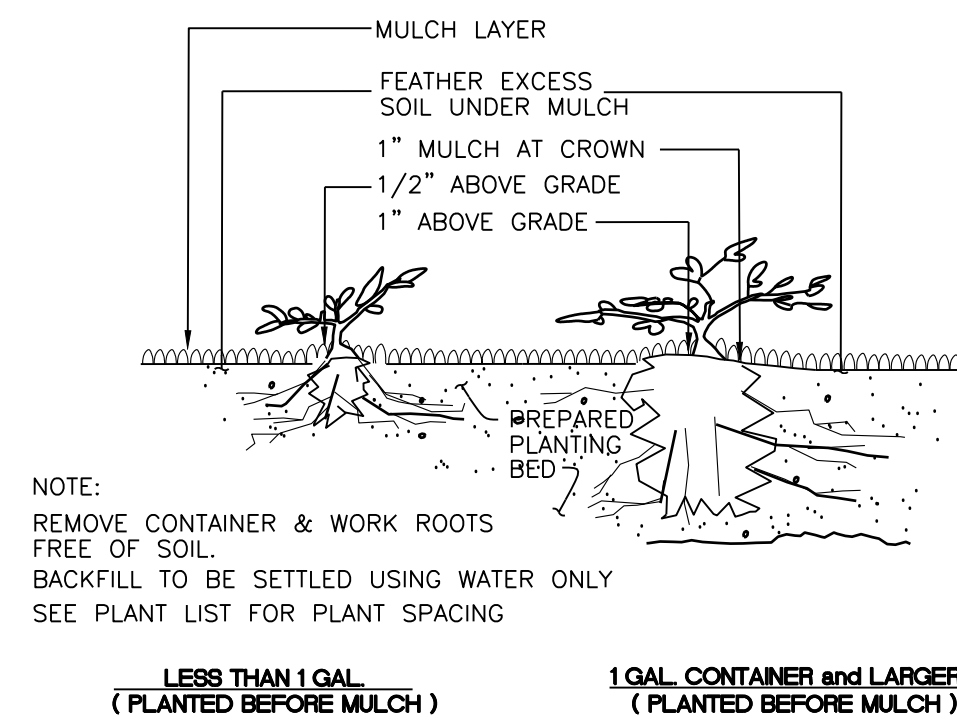
DECIDUOUS TREE PLANTING/STAKING DETAIL
NOT TO SCALE



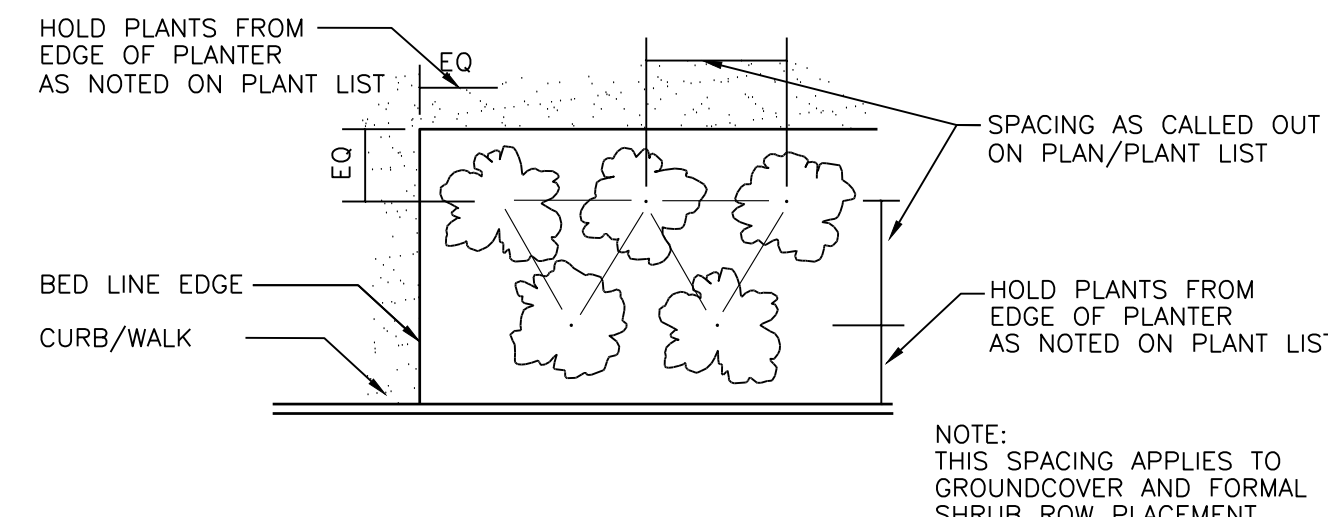
EVERGREEN TREE PLANTING/STAKING DETAIL
NOT TO SCALE



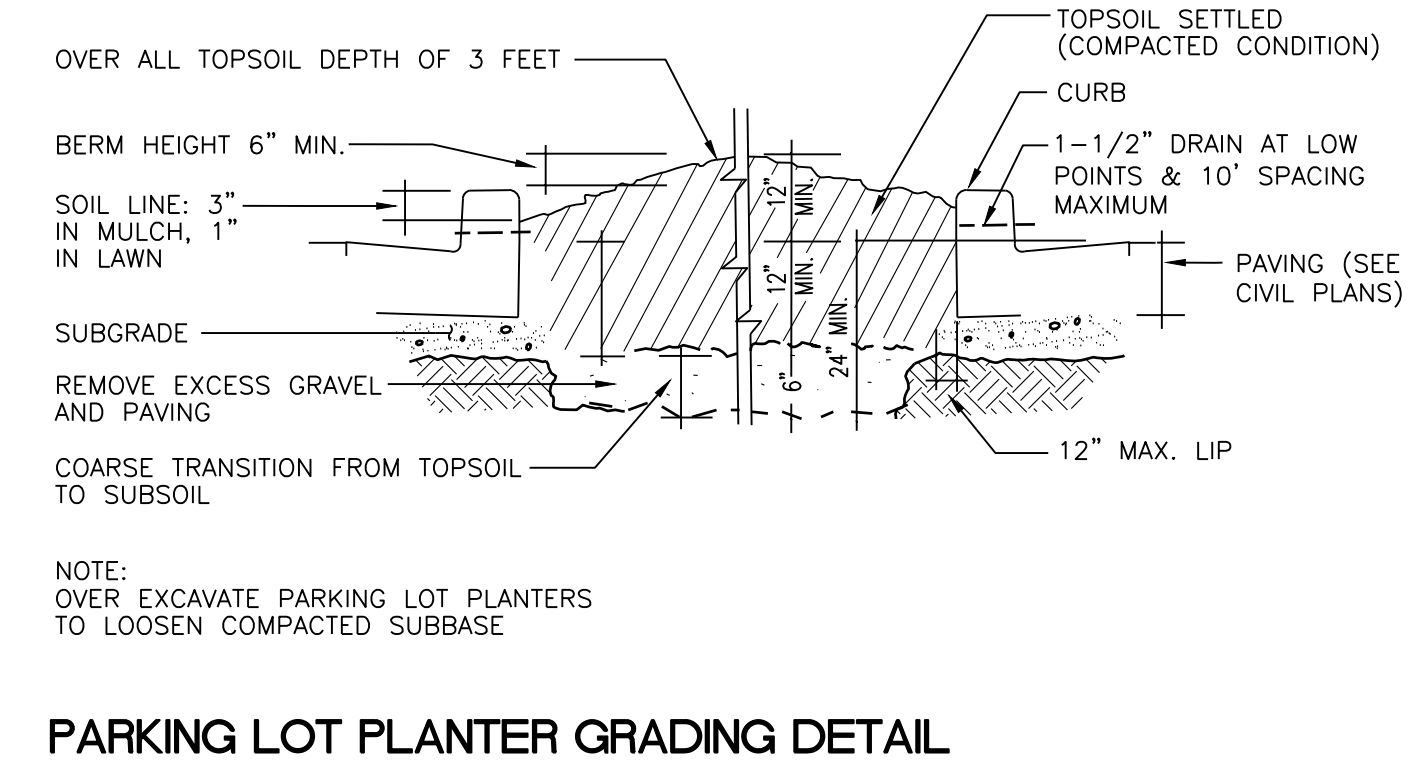
SHRUB PLANTING DETAIL
NOT TO SCALE



GROUNDCOVER PLANTING DETAIL
NOT TO SCALE

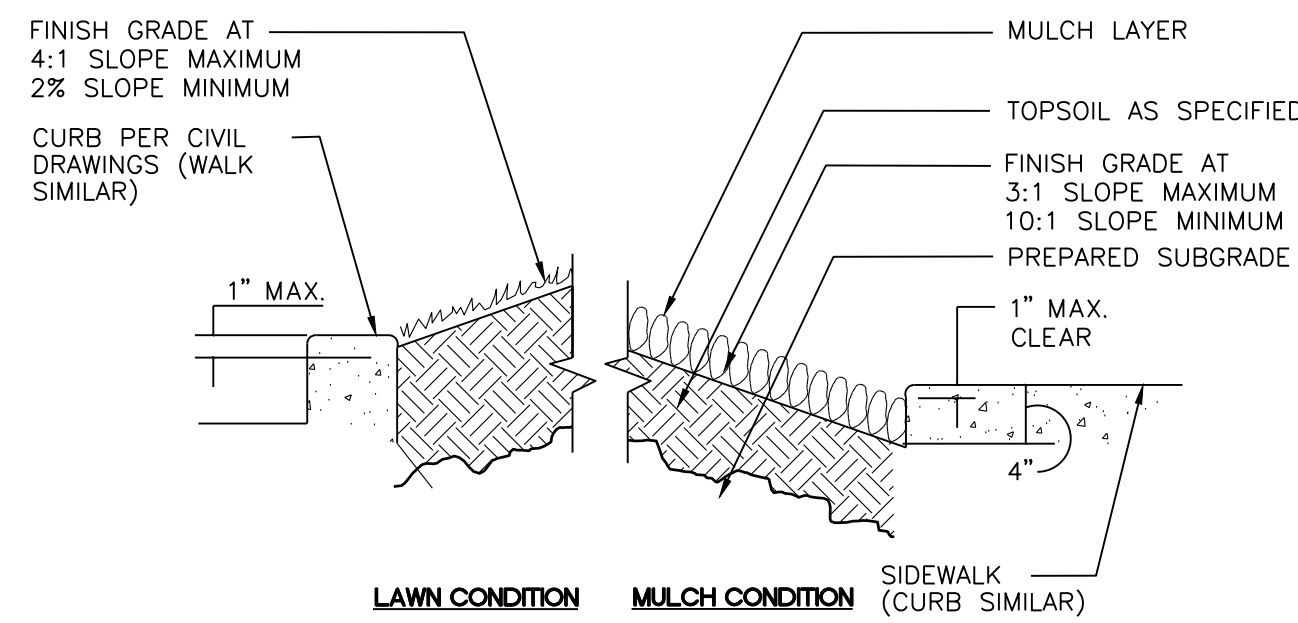


PLANT MATERIAL SPACING DETAIL
NOT TO SCALE

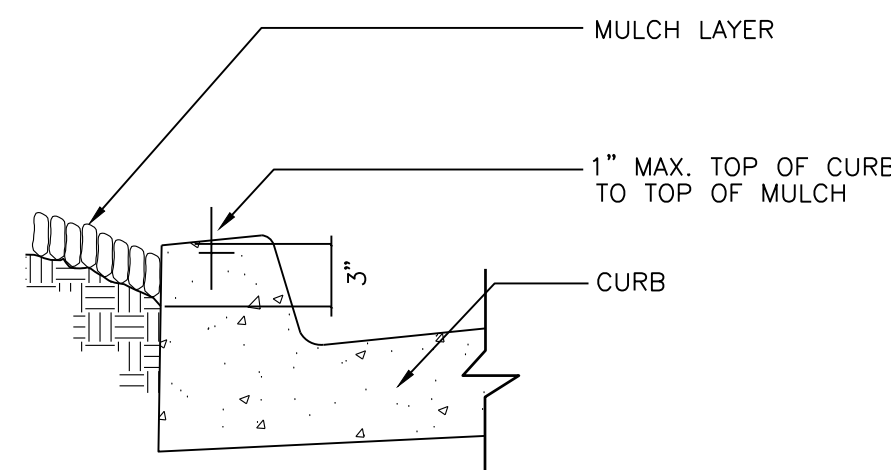


PARKING LOT PLANTER GRADING DETAIL
NOT TO SCALE

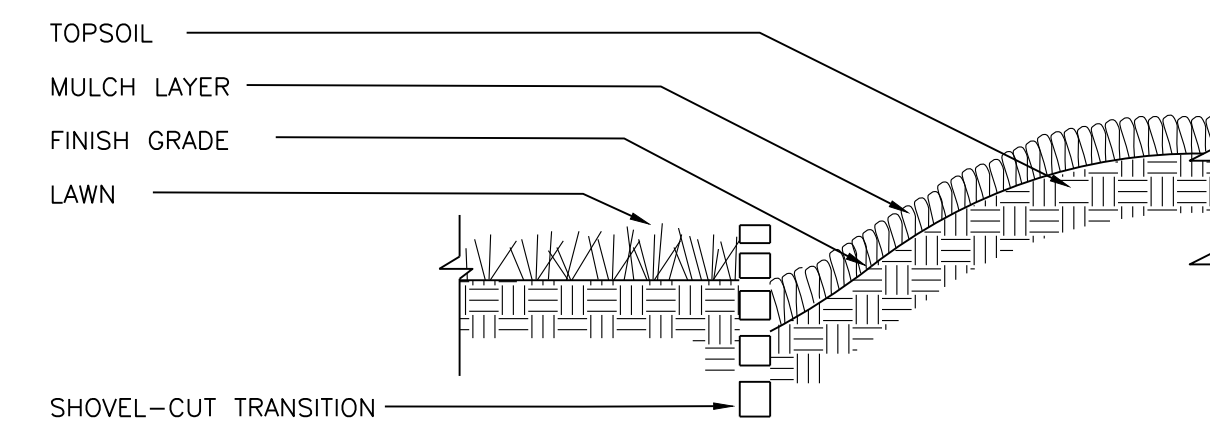
DEDUCT ALT #1: IF LANDSCAPE CONTRACTOR CAN DEMONSTRATE THAT PLANTER ISLANDS ARE NOT FULL OF NON-SOIL MATERIALS (CONCRETE WASTE, LUMBER, ROAD BASE, GRAVEL), FULL EXCAVATION AND REPLACE WITH 18"-21" OF TOPSOIL CAN BE ELIMINATED AND IN ITS PLACE, 6" OF COMPOST CAN BE PLACED ON SUB-GRADE AND CULTIVATED INTO TOP 12" OF EXISTING SOIL. TOP OF FINISH GRADE AND DEPTH OF MULCH STILL APPLIES



PLANTER SECTION DETAIL
NOT TO SCALE



MULCH AT CURB DETAIL
NOT TO SCALE



PLANTING BED ADJACENT TO LAWN DETAIL
NOT TO SCALE

Revision
Appr.
Ctd.
By
Date
No.

LANDSCAPE DETAILS

Title:

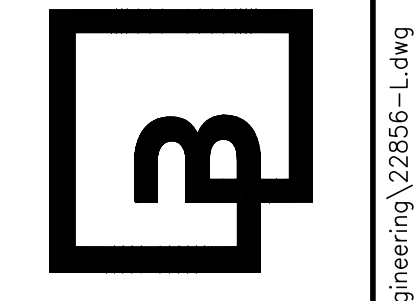
For: **HOMWOOD SUITES**
111 GATEWAY ENTERPRISES, LLC
9632 6TH WAY SE
LACEY, WA 98513



Scale:
Horizontal: N/A
Vertical: Vertical

TCR
Designed: _____
Drawn: TCR
Checked: JMW
Approved: TCR
Date: 2/1/2024

Barghausen Consulting Engineers, Inc.
18215 72nd Avenue South
Kent, WA 98032
425.251.6222
barghausen.com

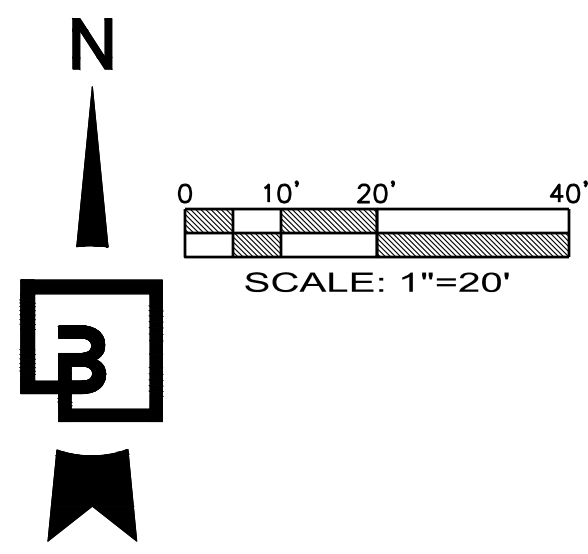


Job Number: **22856**
Sheet: **L4** of **8**

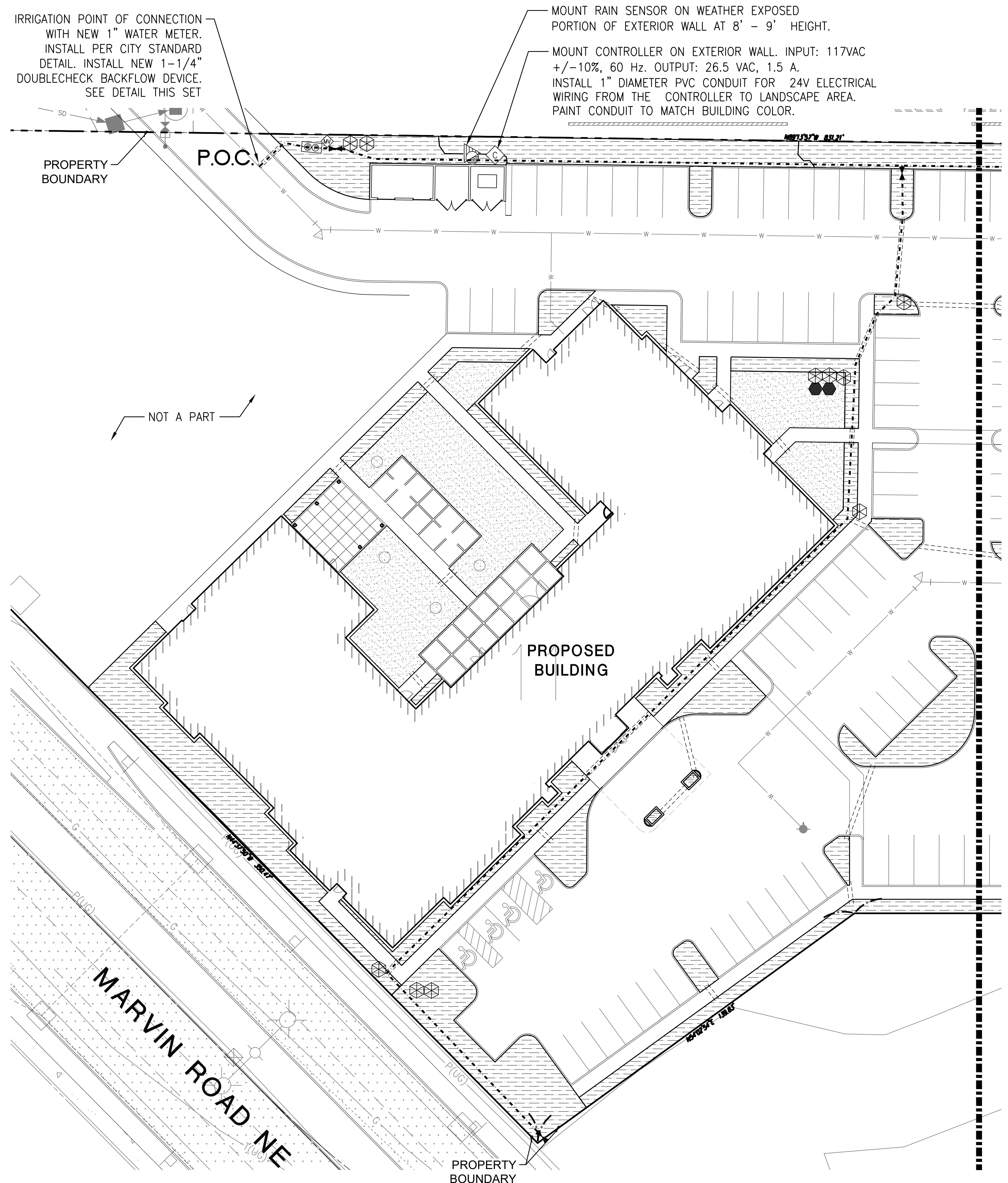
P:\22000s\22856\engineering\22856-L.dwg 2/14/2024 8:55 AM TROBERTS

LANDSCAPE IRRIGATION NOTES

1. GENERAL CONTRACTOR AND LANDSCAPE CONTRACTOR TO COORDINATE:
 - A) INSTALLATION OF 110V ELECTRICAL SERVICE FROM ELECTRICAL SOURCE TO AUTOMATIC CONTROLLER, INCLUDING WIRE HOOK-UP INTO MOUNTED CONTROLLER. IRRIGATION CONTRACTOR WILL MOUNT CONTROLLER PER DESIGN AND COORDINATE WITH GENERAL CONTRACTOR.
 - B) INSTALLATION OF IRRIGATION/SERVICE METER AND STUB TO IRRIGATION POINT OF CONNECTION, PER UTILITY PLAN(S). PROVIDE STANDARD THREADED STUB-OUT WITH THREADED CAP ON DISCHARGE SIDE OF METER. STUB-OUT TO BE INSTALLED APPROXIMATELY 18 INCHES BELOW FINISH GRADE.
 - C) VERIFICATION OF STATIC WATER PRESSURE AT POINT-OF-CONNECTION (P.O.C.) CONTRACTOR SHALL NOTIFY OWNER AND BARGHAUSEN CONSULTING ENGINEERS, INC., OF ANY VARIATION IN STATIC PRESSURE OVER 5 PSI GREATER/LESS THAN DESIGN PRESSURE.
 - D) INSTALLATION OF SLEEVING.
2. PROVIDE ALL LABOR, MATERIALS, TRANSPORTATION, AND SERVICES NECESSARY TO FURNISH AND INSTALL A COMPLETE IRRIGATION SYSTEM AS INDICATED ON THE DRAWINGS AND/OR NOTES. PROVIDE A ONE (1) YEAR WARRANTY/GUARANTEE FROM FINAL ACCEPTANCE AGAINST ALL DEFECTS IN MATERIALS, EQUIPMENT, AND WORKMANSHIP.
3. COORDINATE IRRIGATION INSTALLATION WITH GENERAL CONTRACTOR, ELECTRICAL CONTRACTOR, LANDSCAPE CONTRACTOR, OWNER, ARCHITECT, AND LANDSCAPE ARCHITECT.
4. **LANDSCAPE CONTRACTOR TO TEST AVAILABLE WATER PRESSURE PRIOR TO BEGINNING ANY WORK. PROVIDE LANDSCAPE ARCHITECT WITH WRITTEN PSI RESULTS.**
5. ALL WORK PER LOCAL CODE. INSTALLATION PER MANUFACTURER'S WRITTEN SPECIFICATIONS.
6. CONTRACTOR TO OBTAIN AND PAY FOR ALL PERMITS, FEES, AND REQUIRED CITY INSPECTIONS.
7. SUBMITTALS:
 - A) SUBMIT EACH ITEM LISTED BELOW FOR LANDSCAPE ARCHITECT'S REVIEW AND APPROVAL.
 - B) PRODUCT DATA: FOR EACH TYPE OF PRODUCT INDICATED.
 - C) CONTROL WIRING PATH DIAGRAM.
 - D) "AS-BUILT" DRAWINGS.
 - E) OPERATION AND MAINTENANCE MANUALS.
8. PROVIDE AND KEEP UP TO DATE A COMPLETE "AS-BUILT" RECORD SET OF PRINTS WHICH ARE TO BE CORRECTED DAILY AND SHOW EVERY CHANGE FROM THE ORIGINAL DRAWINGS AND NOTES AND EXACT "AS-BUILT" LOCATIONS, SIZES AND KIND OF EQUIPMENT. THIS SET OF DRAWINGS ARE TO BE KEPT ON SITE AND ARE TO BE USED ONLY AS THE RECORD SET. ALL WORK IS TO BE NEAT AND LEGIBLE. ANNOTATIONS THEREON DAILY AS THE WORK PROCEEDS, SHOWING WORK AS ACTUALLY INSTALLED. DIMENSION FORM TWO (2) PERMANENT POINTS OF REFERENCE, BUILDING CORNERS, WALKS, OR ROAD INTERSECTIONS, ETC., THE LOCATION OF THE FOLLOWING:
 - A) CONNECTION TO WATER LINES (P.O.C.),
 - B) CONNECTIONS TO ELECTRICAL POWER,
 - C) GATE VALVE, QUICK COUPLERS, AND REMOTE CONTROL VALVE,
 - D) ROUTING OF MAINLINE (DIMENSION MAXIMUM 100' ALONG ROUTING),
 - E) ROUTING OF CONTROL WIRING,
 - F) OTHER RELATED EQUIPMENT AS DIRECTED BY THE LANDSCAPE ARCHITECT.
9. PREPARE AND PROVIDE PRIOR TO COMPLETION OF CONSTRUCTION, A THREE RING BINDER CONTAINING THE FOLLOWING INFORMATION:
 - A) INDEX SHEET STATING CONTRACTOR'S ADDRESS, TELEPHONE NUMBER, FAX, E-MAIL AND A LIST OF EQUIPMENT WITH NAME AND ADDRESS OF LOCAL MANUFACTURER'S REPRESENTATIVES.
 - B) CATALOG AND PARTS SHEETS ON EVERY MATERIAL AND EQUIPMENT INSTALLED UNDER THIS CONTRACT.
 - C) GUARANTEE STATEMENT,
 - D) COMPLETE OPERATING AND MAINTENANCE INSTRUCTIONS ON ALL MAJOR EQUIPMENT.
 - E) CONSTRUCTION DETAILS FROM THE PROJECT,
 - F) COMPLETE TROUBLE-SHOOTING GUIDE TO COMMON IRRIGATION PROBLEMS,
 - G) WINTERIZATION AND SPRING START-UP PROCEDURES,
 - H) CHART OF APPROXIMATE WATERING TIMES FOR SPRING, SUMMER, AND FALL,
 - I) A COPY OF THE "AS-BUILT" DRAWINGS AND CONTROLLER CHART.
10. ALL VALVES TO BE PLACED IN "CARSON" GRADE LEVEL BOXES WITH BOLT-LOCK LIDS (OR APPROVED EQUIVALENT). SET BOXES 2 INCHES HIGHER THAN FINISH GRADE IN MULCH AREAS AND FLUSH WITH FINISH GRADE IN LAWN AREAS. JUMBO BOX FOR CHECK VALVE, 10" ROUND BOX FOR GATE/QUICK COUPLER/WIRE SPLICES, AND 12" STANDARD FOR CONTROL VALVES. PROVIDE BOX EXTENSIONS AS REQUIRED.
11. MAINLINE PIPE TO BE BURIED 18 INCHES, LATERALS 12 INCHES, AND SLEEVES 24" INCHES BELOW FINISH GRADE. NO ROCK OR DEBRIS TO BE BACKFILLED OVER PIPE.
12. HEAD AND LINE POSITIONING IS DIAGRAMMATIC ON PLAN. ADJUST IN FIELD AS NECESSARY FOR 100 PERCENT COVERAGE. VALVES TO BE POSITIONED ADJACENT TO PAVEMENT/CURBS, IN SHRUB BEDS WHERE POSSIBLE.
13. FAMILIARIZE OWNERS FACILITY OPERATOR WITH IRRIGATION SYSTEM FUNCTION, CONTROLLER PROGRAMMING, SYSTEM OPERATION AND MAINTENANCE REQUIREMENTS.
14. SPRINKLERS ON RISERS WILL NOT BE ALLOWED UNLESS NOTED ON PLANS.
15. RADIUS REDUCTION TO BE MADE BY USE OF PRESSURE ADJUSTMENT, SCREENS, AND/OR ALTERNATE NOZZLES. IN-NOZZLE ADJUSTMENT IS LIMITED TO 10 PERCENT FOR SPRAY HEADS AND PER MANUFACTURER'S LIMITS FOR OTHER SPRINKLERS. SPRINKLER SPACING NOT EXCEED 60% OF THE DIAMETER OF THE PUBLISHED DATA.
16. ALL CONTROL WIRE SPLICES TO BE MADE AT VALVE BOXES WITH WATER TIGHT ELECTRICAL SPLICES, 3M, SCOTT'S LOCK SEAL TACK 3576-78, OR EQUIVALENT.
17. EACH VALVE BOX TO CONTAIN A MINIMUM OF TWO (2) SPARE ORANGE CONTROL WIRES FOR JACKETED WIRE. ROUTE SPARE WIRES FROM THE CONTROLLER TO THE LAST VALVE OF EACH MAINLINE BRANCH. COMMON WIRE TO BE WHITE. SINGLE STRAND WIRE TO BE A MINIMUM OF 14 GAUGE.
18. ALL ELECTRICAL EQUIPMENT TO BE U.L. TESTED AND APPROVED, AND BEAR THE U.L. LABEL.
19. CROSS CONNECTION PROTECTION INSPECTION REQUIRED. THE BACKFLOW DEVICE TO BE TESTED UPON THE ORIGINAL INSTALLATION. THE TESTING TO BE PERFORMED BY A PERSON HOLDING A CURRENT CERTIFICATE AS A BACKFLOW TESTER. THE TEST REPORT TO BE SUBMITTED TO THE LOCAL WATER DISTRICT, OR PURVEYOR, AND OWNER WITH A COPY TO BARGHAUSEN CONSULTING ENGINEERS, INC. CONTRACTOR TO INCLUDE TESTING IN THE SCOPE OF WORK. OWNER IS RESPONSIBLE FOR ANNUAL INSPECTIONS AFTER THE INTIAL INSPECTION.
20. CONTRACTOR TO PROVIDE SYSTEM WINTERIZATION/SPRING SERVICE WHEN INSTALLATION HAS BEEN COMPLETED WITHIN 90 DAYS OF NOVEMBER 1 FOR WINTERIZATION, OR MAY 15 FOR SPRING SERVICE. SERVICE TO BE PERFORMED AS NEAR AS PRACTICAL.



IRRIGATION PLAN - WEST



NOT A PART

MATCHLINE SEE SHEET L6 FOR CONTINUATION

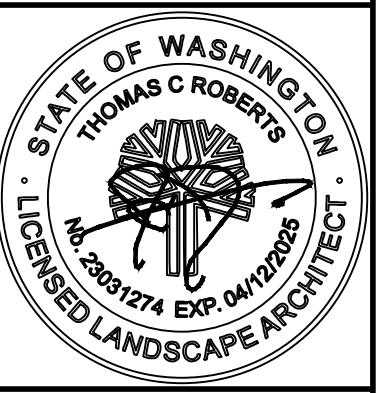
SEE SHEET L6 FOR IRRIGATION SCHEDULE

Revision	
By	
Date	
No.	

IRRIGATION PLAN WEST

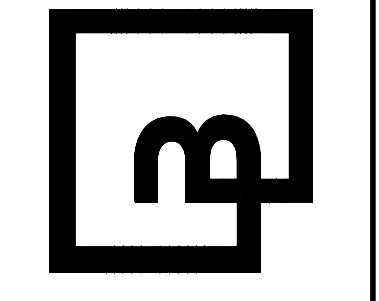
Title:

For:
HOMEWOOD SUITES
111 GATEWAY ENTERPRISES, LLC
9632 6TH WAY SE
LACEY, WA 98513



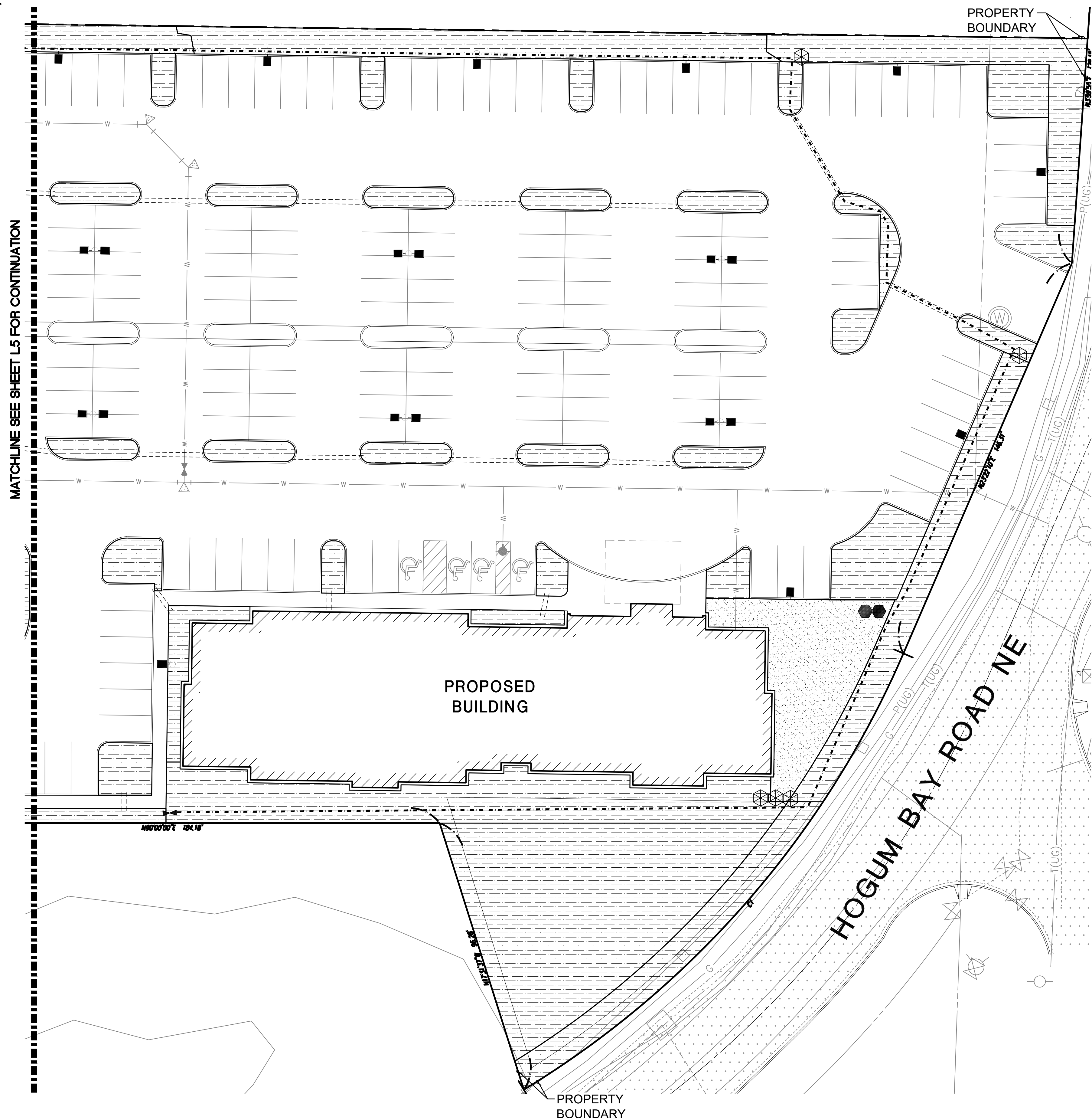
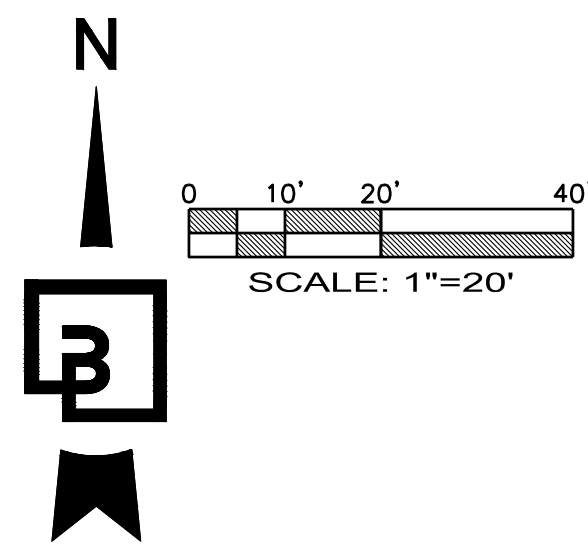
Scale:	Horizontal	Vertical
	1"=20'	
TCR	TCR	JMW
Designed	Drawn	Checked
		Approved
		Date
		2/1/2024

Barghausen Consulting Engineers, Inc.
 18215 72nd Avenue South
 Kent, WA 98032
 425.251.6222 barghausen.com



Job Number
22856
 Sheet
L5 of 8

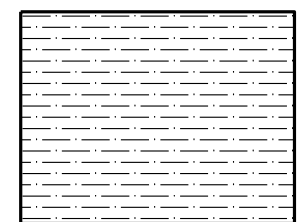
IRRIGATION PLAN - EAST



IRRIGATION SCHEDULE

DESCRIPTION

DRIP IRRIGATION:



HUNTER LANDSCAPE DRIPLINE COMPONENTS

HDL-06-12-250-CV SUB-SURFACE DRIPLINE TUBING 0.6 GPH PRESSURE COMPENSATING EMITTERS WITH CHECK VALVE AT 12" ON-CENTER SPACING - ALL TUBING SHALL BE INSTALLED ON GRADE W/ 9" WIRE STAKES FOUR (4) FEET ON-CENTER; VERIFY THE LAYOUT AND 18" ON-CENTER SPACING IN THE FIELD PRIOR TO STARTING WORK. INSTALL ALL COMPONENTS PER MANUF. SPECIFICATIONS.

USE HUNTER PLD-LOC FITTINGS FOR CONNECTION BETWEEN PVC LATERAL LINES AND INLINE DRIP TUBING

SPRINKLER HEADS:

HUNTER MP ROTATOR WITH PRO-SPRAY POP-UP BODY AND CV DRAIN CHECK VALVE, 4" LAWN, 6" SHRUB

SYMBOL	NOZZLE	PSI	GPM	RADIUS
	HUNTER-6Q and 6H H, Q SERIES	30	0.98, 0.51	6'
	HUNTER-1000 8-15 F, TH, TT, H, Q SERIES	35	0.65, 0.48, 0.37, 0.32, 0.16	8'
	HUNTER-1000 8-15 F, TH, TT, H, Q SERIES	35	0.65, 0.48, 0.37, 0.32, 0.16	10'
	HUNTER-1000 8-15 F, TH, TT, H, Q SERIES	35	0.65, 0.48, 0.37, 0.32, 0.16	12'
	HUNTER-2000 13-21 F, TQ, TT, H, Q SERIES	30	1.29, 0.95, 0.74, 0.63, 0.33	15'
	HUNTER ES515, SS530 SERIES	35	1.41, 0.65	5'x30' 5'x15'
	HUNTER-3000 22-30 F, TQ, TT, H, Q SERIES	35	2.88, 2.19, 1.68, 1.44, 0.69	0.43 22'

ADDT'L EQUIPMENT:

- HUNTER ICV SERIES ELECTRIC REMOTE CONTROL VALVE WITH (1) STATION ICD-100 DECODER AND ACCU-SYNC ADJUSTABLE PRESSURE REGULATING DIAL. VALVE SIZE PER MANUFACTURER'S RECOMMENDATIONS TO MINIMIZE PRESSURE LOSS. MAXIMUM 2 VALVES PER VALVE BOX
- SPRAY IRRIGATION: HUNTER ICV SERIES ELECTRIC REMOTE CONTROL VALVE WITH (1) STATION ICD-100 DECODER AND ACCU-SYNC ADJUSTABLE PRESSURE REGULATING DIAL. VALVE SIZE PER MANUFACTURER'S RECOMMENDATIONS TO MINIMIZE PRESSURE LOSS. MAXIMUM 2 VALVES PER VALVE BOX
- WSS-SEN WIRELESS SOLAR SYNC SENSOR WITH WIRELESS RECEIVER. INSTALL PER MANUFACTURER'S SPECIFICATIONS. NOTE: WHENEVER POSSIBLE HARDWIRE PREFERRED. EXTERIOR MOUNT WITHIN MANUFACTURER'S SPECIFICATIONS FOR DISTANCE
- HUNTER ACC2 DECODER IRRIGATION CONTROLLER WITH A2C-75D-SS (POWDER COAT STEEL CABINET, VERIFY COLOR WITH OWNER), WITH ID2BLU TWO-WIRE AND ROAM-XL REMOTE. INSTALL (1) ICD-100 SINGLE STATION DECODER PER VALVE. COORDINATE SOURCE OF ELECTRICITY TO CONTROLLER WITH GENERAL CONTRACTOR.
- HUNTER ICV-200 2" MASTER VALVE (NORMALLY CLOSED) AND FCT-200 2" FLOW-SYNC FLOW SENSOR. ICV SERIES VALVE. SEE DETAIL THIS SET. WIRE FLOW SENSOR BACK TO CONTROLLER WITH PE-39 DATA CABLE.
- P.O.C.** WILKINS 950 XLT- 1-1/4" DOUBLE CHECK VALVE (STATE APPROVED); SEE CIVIL SET FOR CITY'S STANDARD DETAIL. TEST AND CERTIFICATION BY LICENSED BACKFLOW TESTER. WILKINS 850 - BALL VALVE, SIZE TO MATCH PIPE CARSON INDUSTRIES #1730 (TWO AT P.O.C.) GRADE LEVEL VAULT WITH BOLT LOCK LID
- PLASTIC BALL VALVE, MATCH LINE SIZE, IN VALVE BOX
- HUNTER HQ-33DLRC 3/4" QUICK COUPLING VALVE, IN VALVE BOX, PROVIDE TWO KEYS AND SWIVELS

----- MAINLINE - SCH 40 PVC (18" COVER); SIZE PER PLAN, 3" SIZE MINIMUM

----- LATERAL - SCH 40 PVC (12" COVER); SIZE PER PLAN, 3/4" SIZE MINIMUM

===== SLEEVE - SCH 40 PVC; 24" MINIMUM COVER AT VEHICLE CROSSINGS AND 18" MINIMUM COVER IN LANDSCAPE AREAS. 8" DIAMETER WHERE 3" SCH 40 PVC MAINLINE RUNS THROUGH PIPE; 6" DIAMETER WHERE MULTIPLE LATERALS RUN THROUGH PIPE; 4" DIAMETER WHERE ONLY A SINGLE LATERAL RUNS THROUGH PIPE.

IRRIGATION SHOWN DIAGRAMATICALLY FOR PLAN CLARITY. COMMON TRENCH AND PLACE EQUIPMENT IN LANDSCAPE; MANIFOLD GROUPED VALVES IN ADJACENT SHRUB AREAS WHERE FEASIBLE.

SCH 40 PIPE SIZING CHART

PIPE SIZE	3/4"	1"	1 1/4"	1 1/2"	2"	2 1/2"
FLOW						

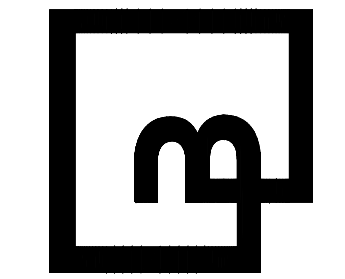
Revision
Title: IRRIGATION PLAN EAST

For: HOMEWOOD SUITES
111 GATEWAY ENTERPRISES, LLC
9632 6TH WAY SE
LACEY, WA 98513



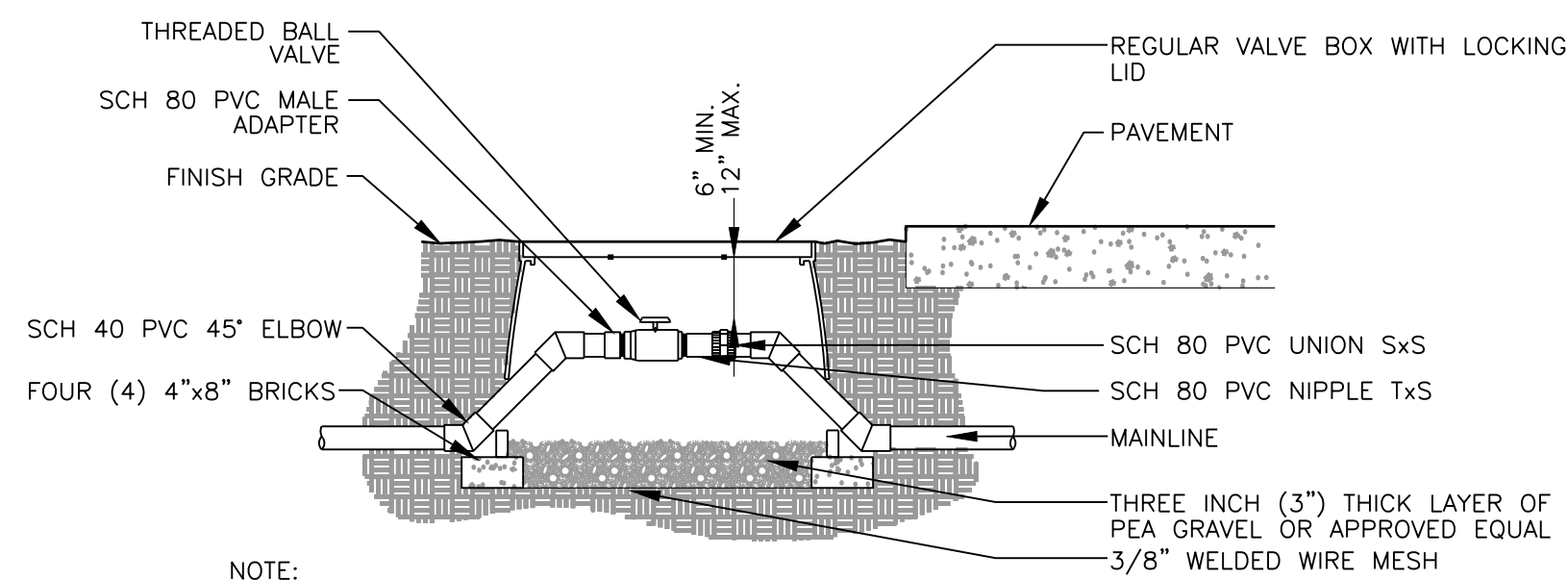
Scale: Horizontal 1"=20' Vertical
Designed TCR
Drawn TCR
Checked JMW
Approved TCR
Date 2/1/2024

Barghausen Consulting Engineers, Inc.
18215 72nd Avenue South
Kent, WA 98032
425.251.6222
barghausen.com



Job Number: 22856
Sheet: L6 of 8
Date: 2/14/2024 8:55 AM

IRRIGATION DETAILS

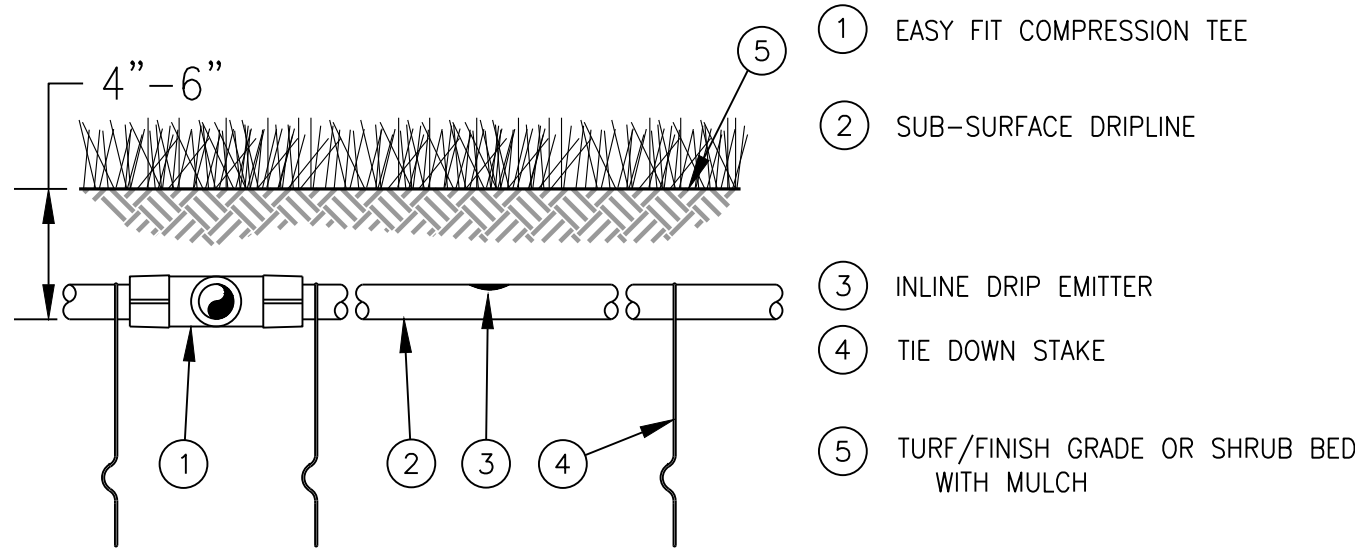


NOTE:

1. LOCATE VALVE BOXES IN PLANTING AREAS.
2. WRAP VALVE BOX WITH A MINIMUM OF 3 MIL THICK PLASTIC AND SECURE IT USING DUCT TAPE OR ELECTRICAL TAPE.
3. ALL THREADED CONNECTIONS TO BE MADE USING TEFLON TAPE.
4. ALL CHANGES IN ELEVATION SHALL BE MADE USING SCH 40 PVC 45° ELBOWS.

BALL VALVE DETAIL

NOT TO SCALE

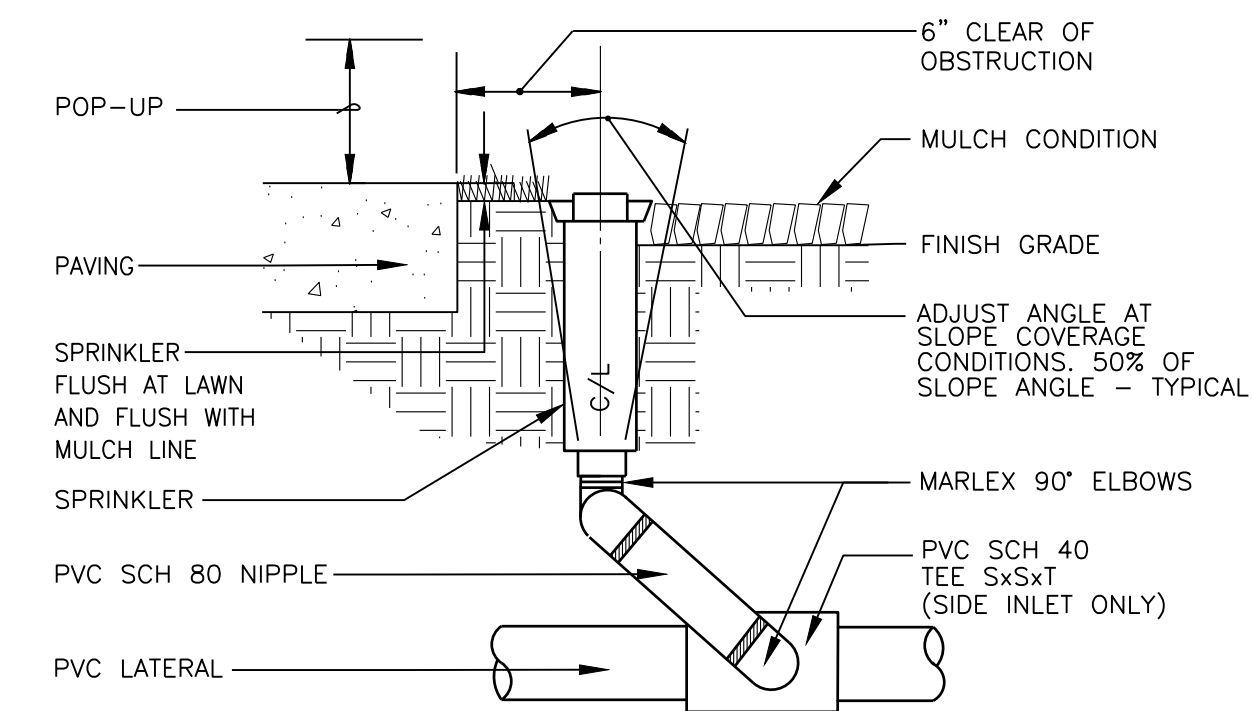


NOTES:

1. PLACE TIE DOWN STAKES EVERY THREE FEET IN SAND, FOUR FEET IN LOAM, AND FIVE FEET IN CLAY.
2. AT FITTINGS WHERE THERE IS A CHANGE OF DIRECTION SUCH AS TEES OR ELBOWS, USE TIE-DOWN STAKES ON EACH LEG OF THE CHANGE OF DIRECTION.
3. INSERTION PLOW AND TRENCHED INSTALLATIONS DO NOT REQUIRE TIE DOWN STAKES.

DRIPLINE BURIAL

NOT TO SCALE

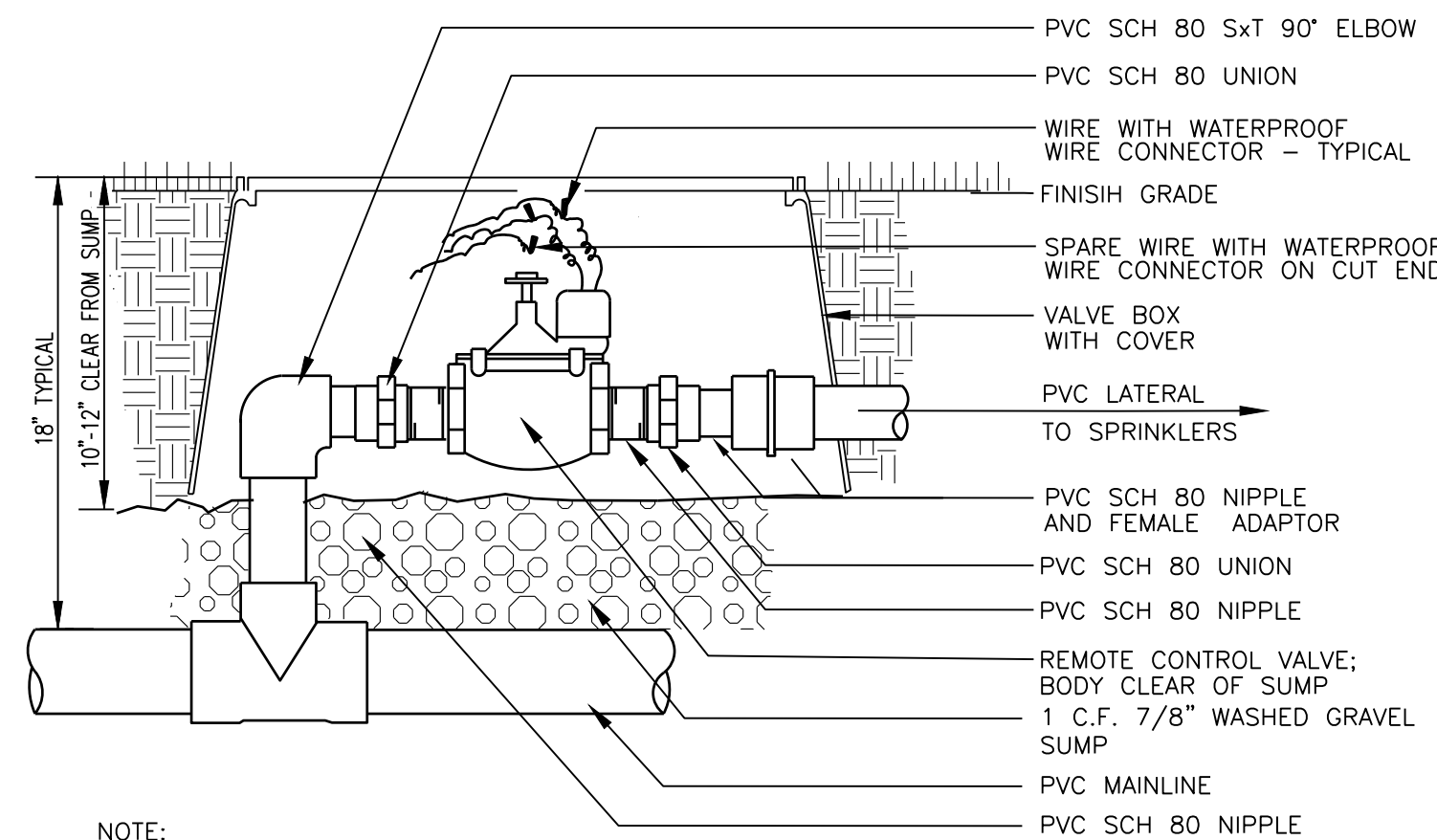


NOTE:

- MANUFACTURER'S LIMITS PREVAIL FOR INSTALLATION AND ADJUSTMENTS.
- PROVIDE SWING JOINT RISERS AT WALKS AND CURBS.
- 24" FLEXIBLE RISERS ACCEPTABLE ELSEWHERE.

POP-UP RISER ASSEMBLY

NOT TO SCALE

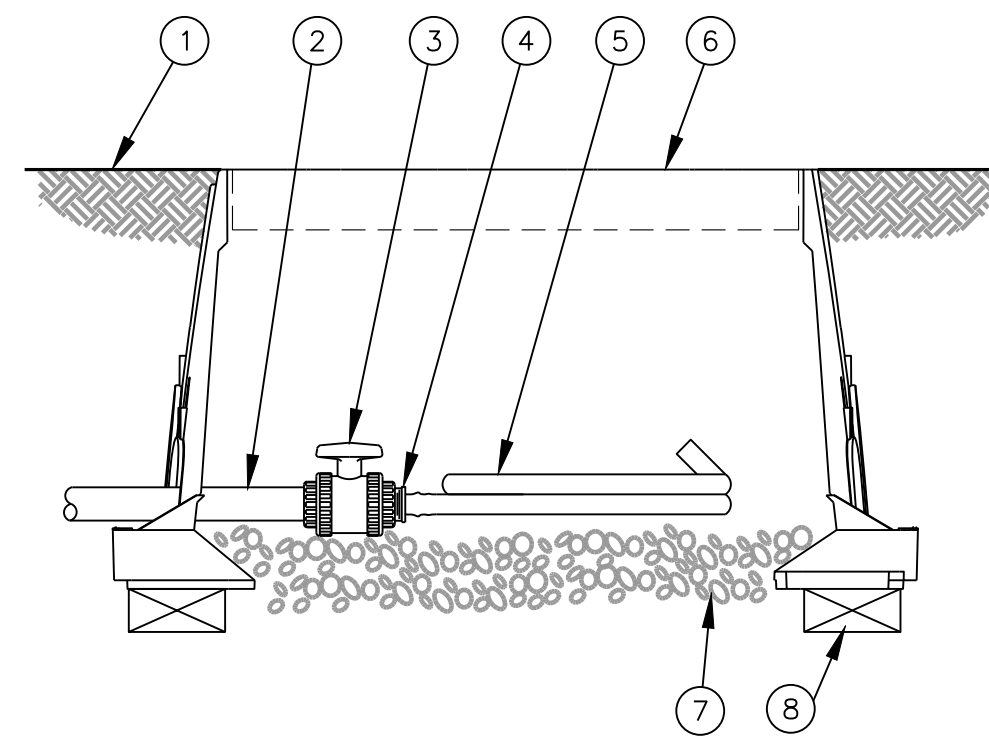


NOTE:

- ONE VALVE PER BOX.
- PROVIDE EXTRA COILS (18") OF EACH WIRE IN VALVE BOX.
- COMPACT SOIL AROUND VALVE BOX.
- USE TEFLON OR FLOWABLE SEALANT IN ALL THREADED FITTINGS, PER MANUFACTURER'S SPEC'S.

REMOTE CONTROL VALVE ASSEMBLY

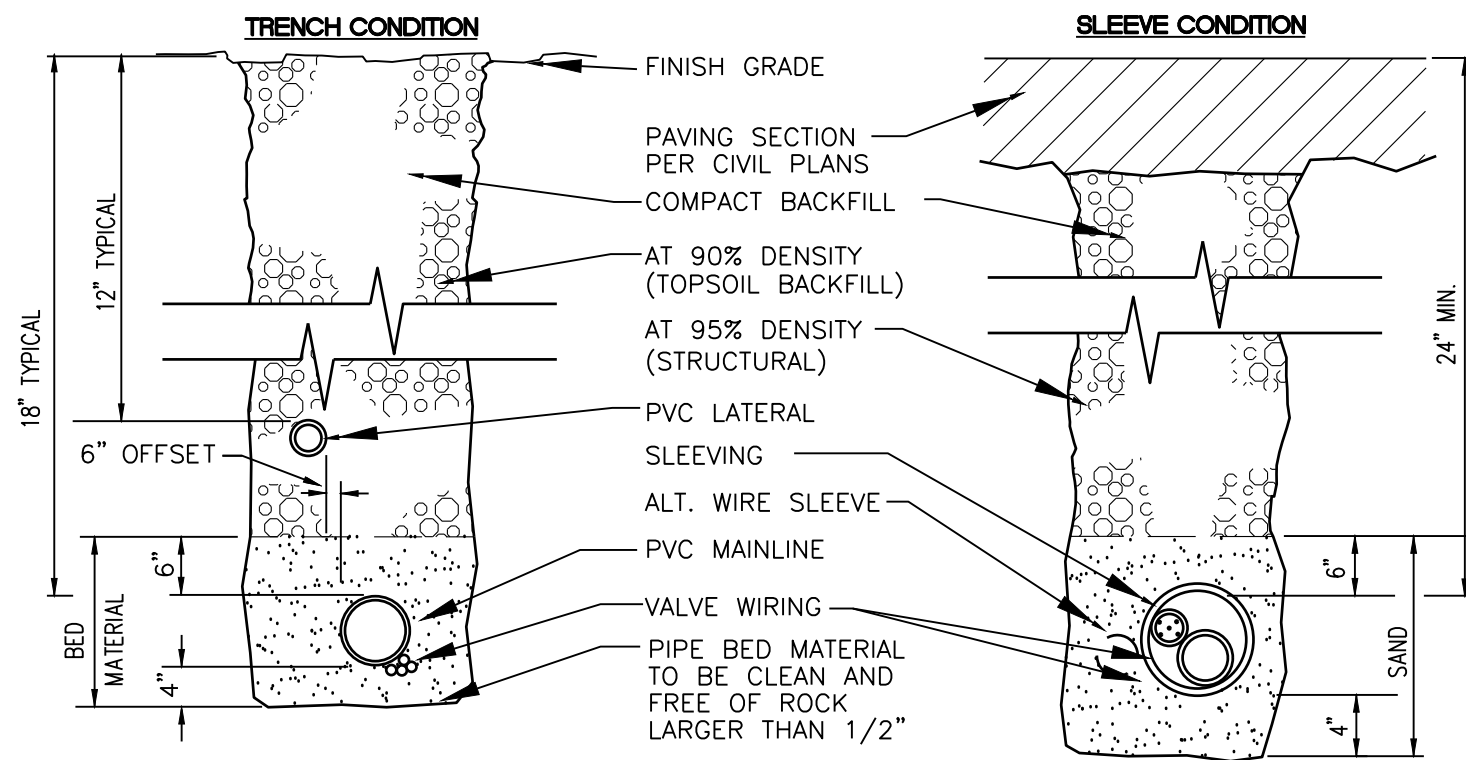
NOT TO SCALE



- 1 FINISH GRADE
- 2 PVC DRIP MANIFOLD PIPE
- 3 PVC 1" X 3/4" TRUE UNION BALL VALVE
- 4 EASY FIT MALE X BARB ADAPTER
- 5 SUB-SURFACE DRIPLINE:
- 6 12-INCH VALVE BOX WITH COVER
- 7 3-INCH MINIMUM DEPTH OF 3/4" WASHED GRAVEL
- 8 BRICK (1 OF 2)

FLUSH POINT WITH BALL VALVE

NOT TO SCALE

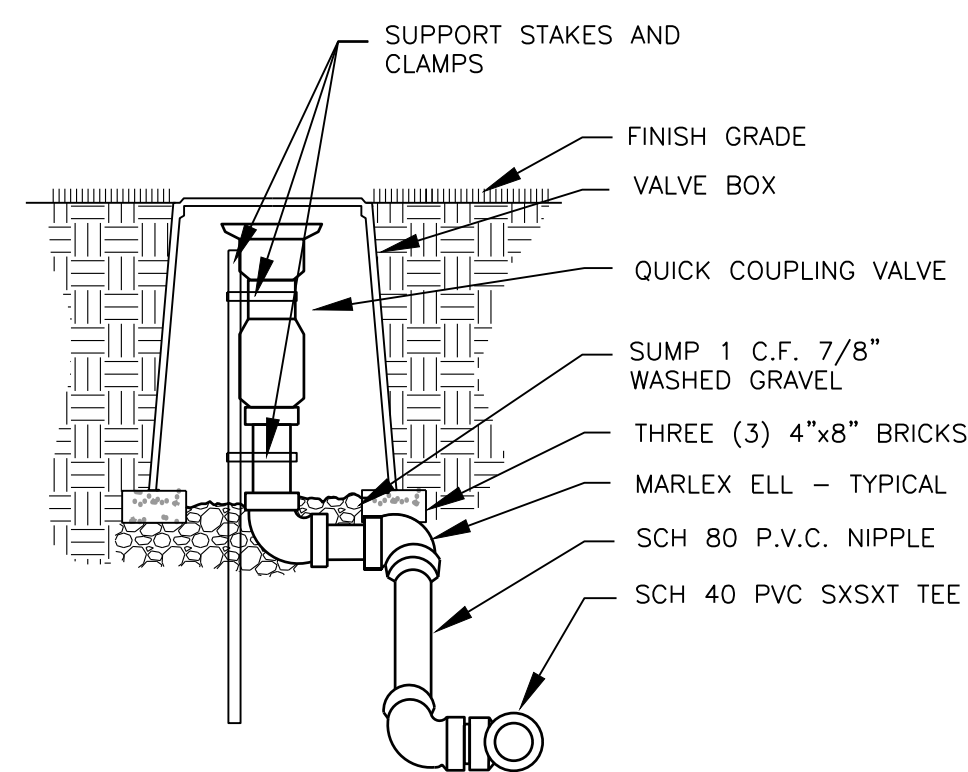


NOTE:

- SLEEVING MATERIAL SHALL BE PVC SCH. 40.
- DIMENSIONS ARE MIN. CLEARANCES.
- ALL IRRIGATION SLEEVING TRENCH BACKFILL MATERIAL SHALL BE CLASS "B" OR BETTER (MAX. OF 10% PASSING NO.40 SCREEN) AND BE COMPACTED TO MIN. 95% OPTIMUM DENSITY PER ASTM D-1557-70 (MODIFIED PROCTOR)

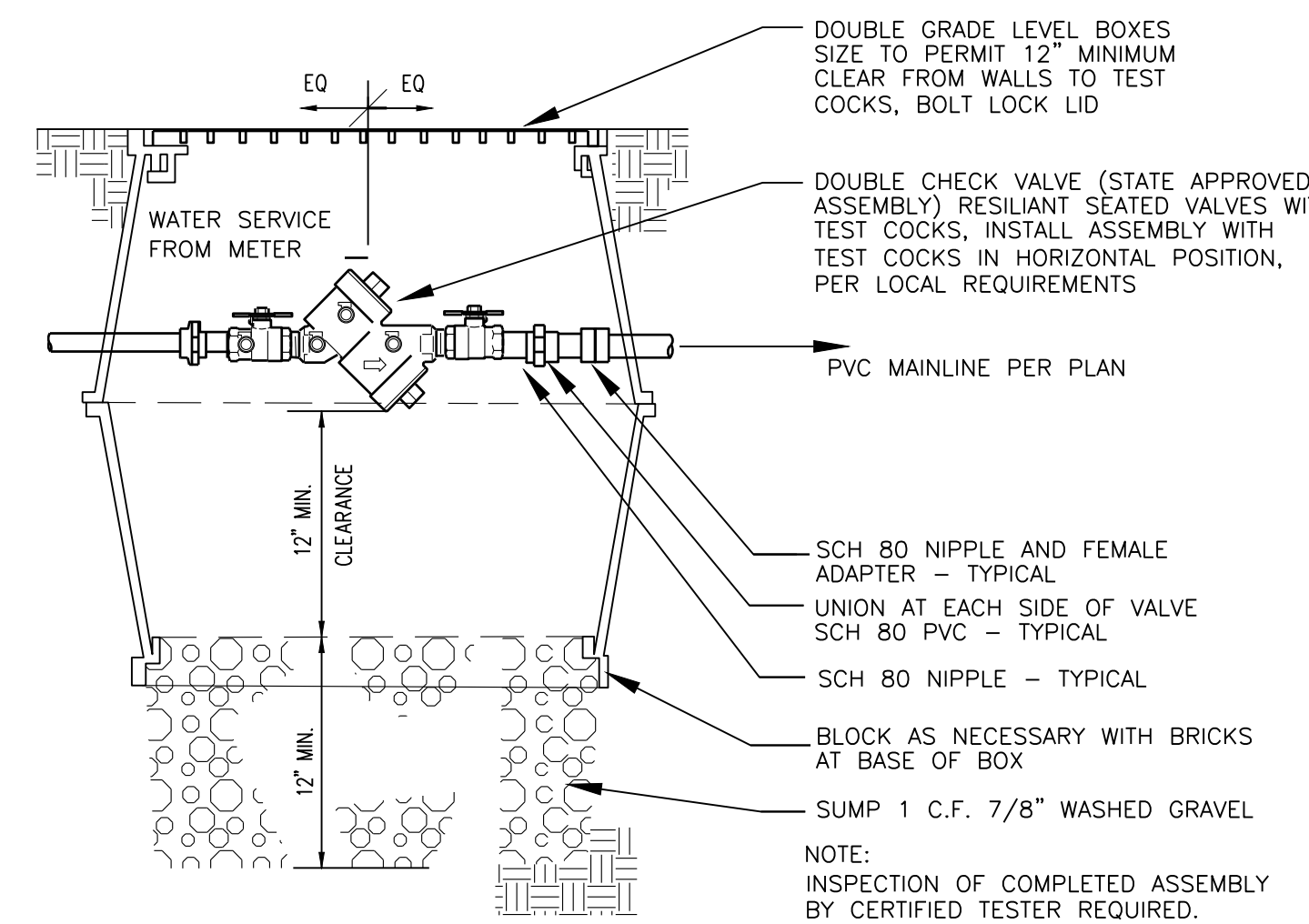
SLEEVE/TRENCHING DETAIL

NOT TO SCALE



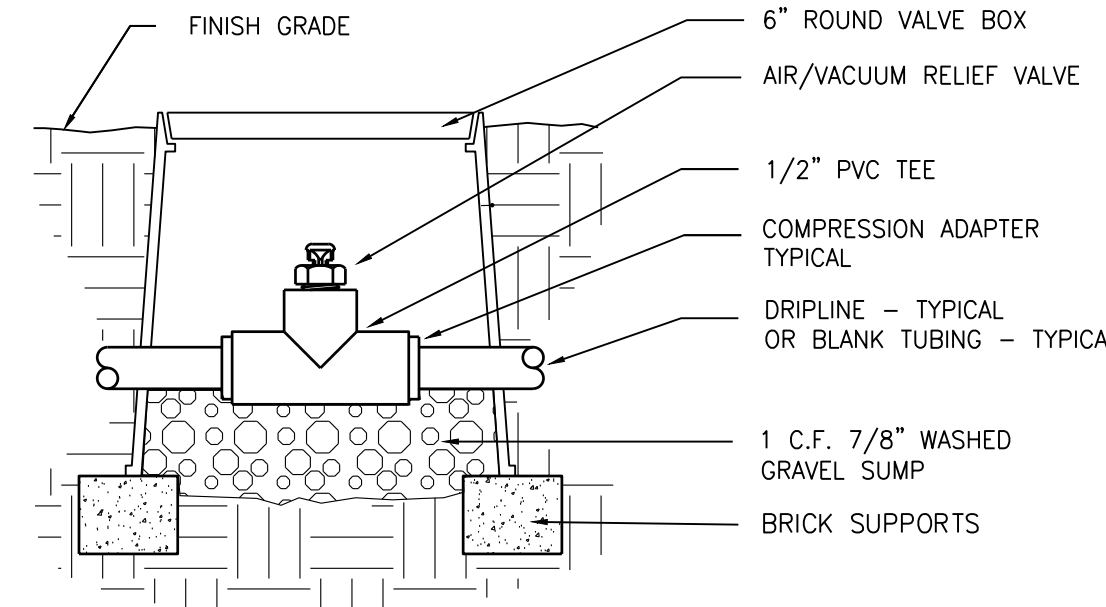
QUICK COUPLING VALVE DETAIL

NOT TO SCALE



CHECK VALVE ASSEMBLY DETAIL

NOT TO SCALE

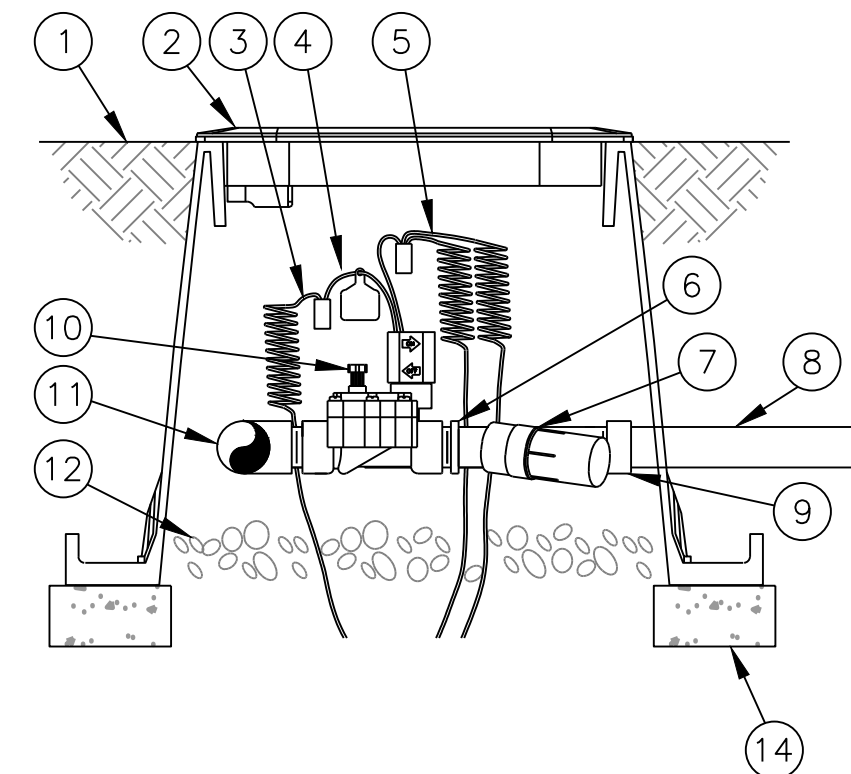


NOTE:

- AIR/VACUUM RELIEF VALVE CANNOT BE CONNECTED LOWER THAN DRIPLINE LATERALS.
- FOR USE ON ZONES OF 7 GPM OR LESS ONLY (PLUMBED TO TUBING).

1/2" AIR/VACUUM RELIEF VALVE DETAIL

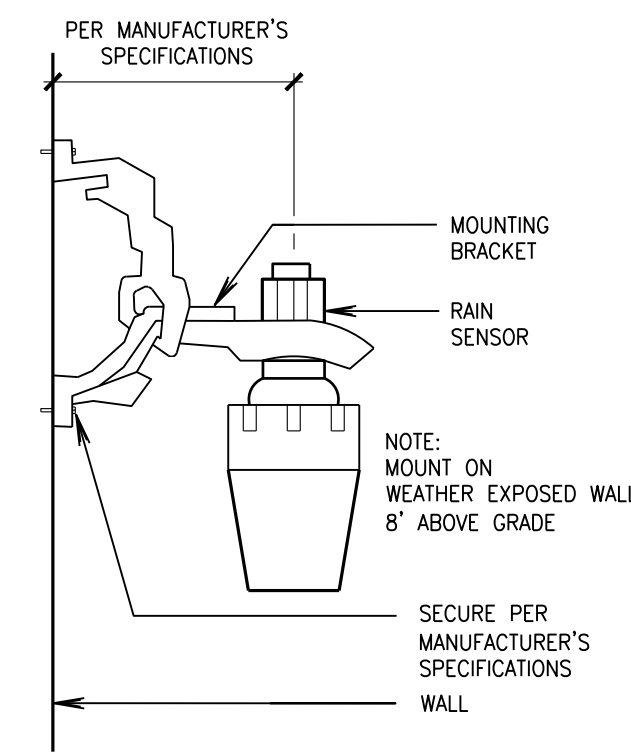
NOT TO SCALE



SIDE VIEW

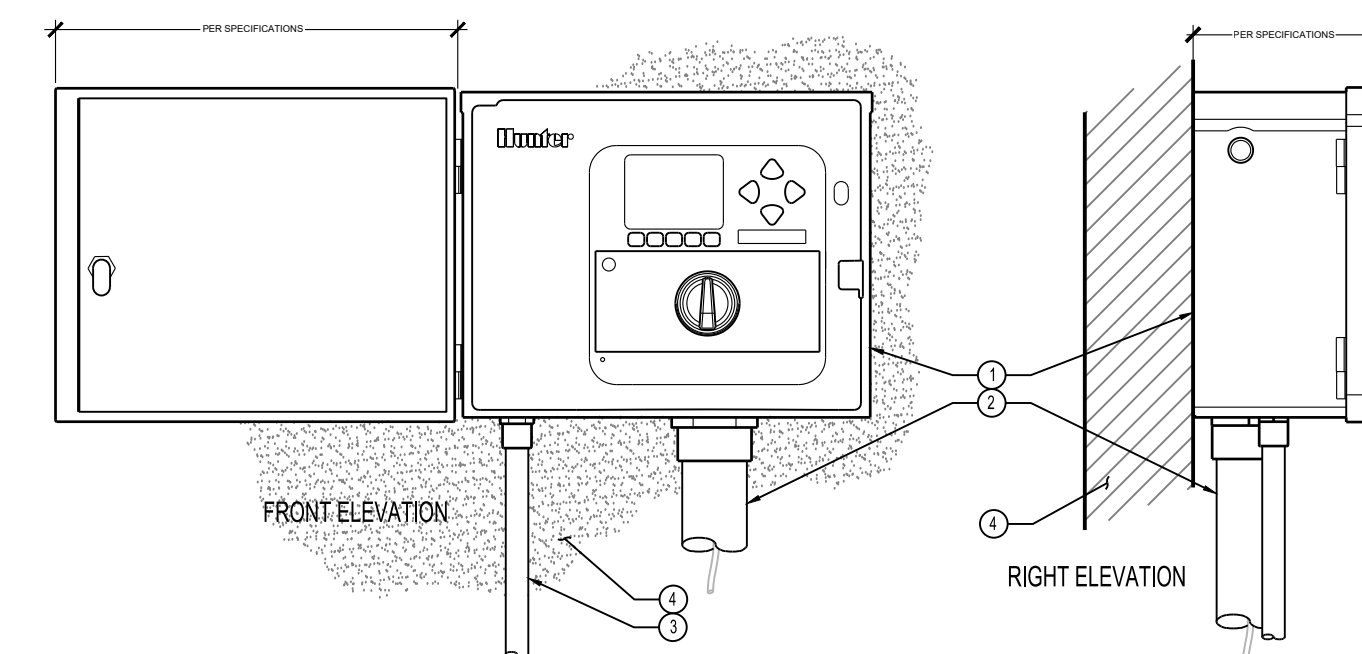
DRIPLINE VALVE

NOT TO SCALE



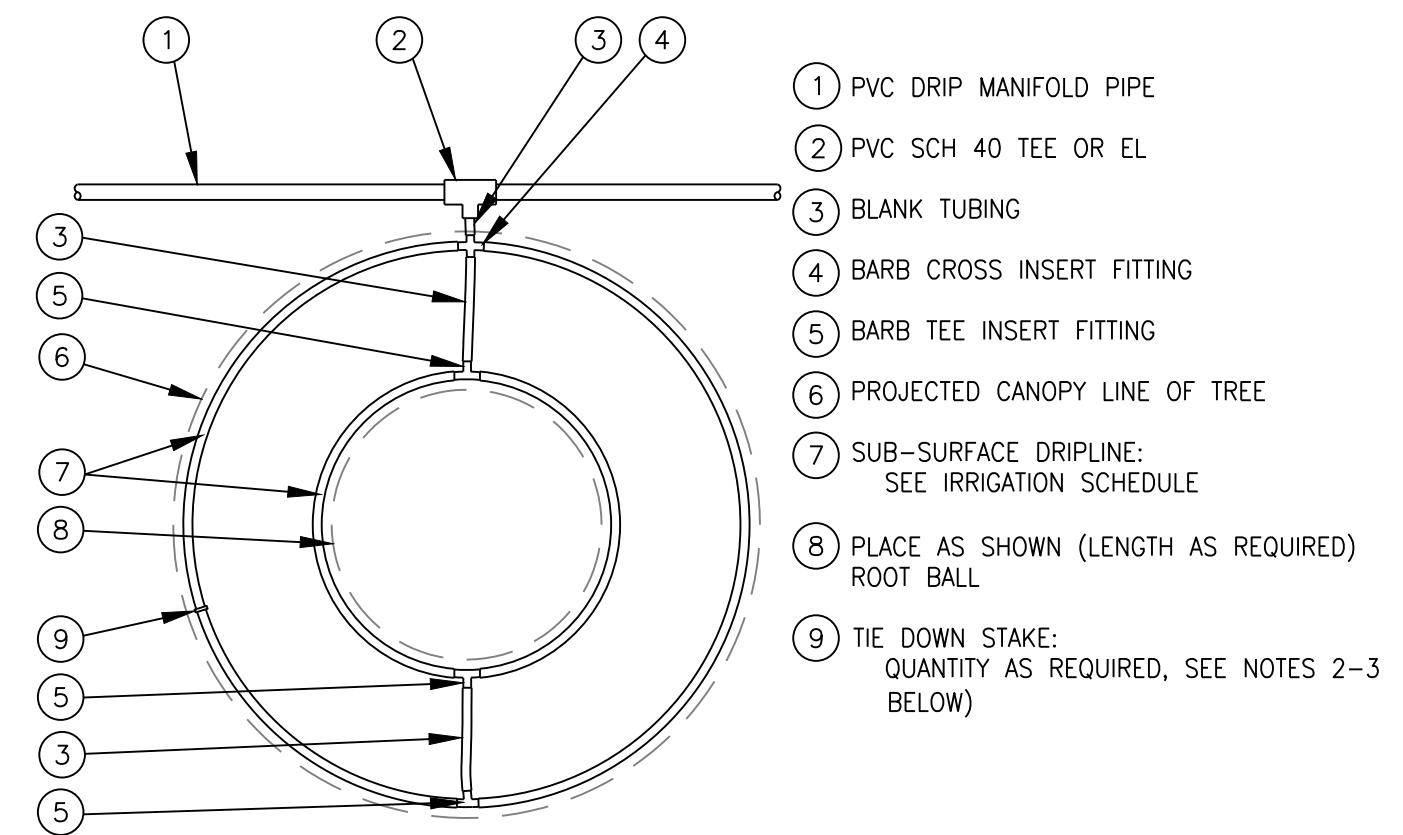
RAIN SENSOR DETAIL

NOT TO SCALE



IRRIGATION CONTROLLER, WALL MOUNT

NOT TO SCALE



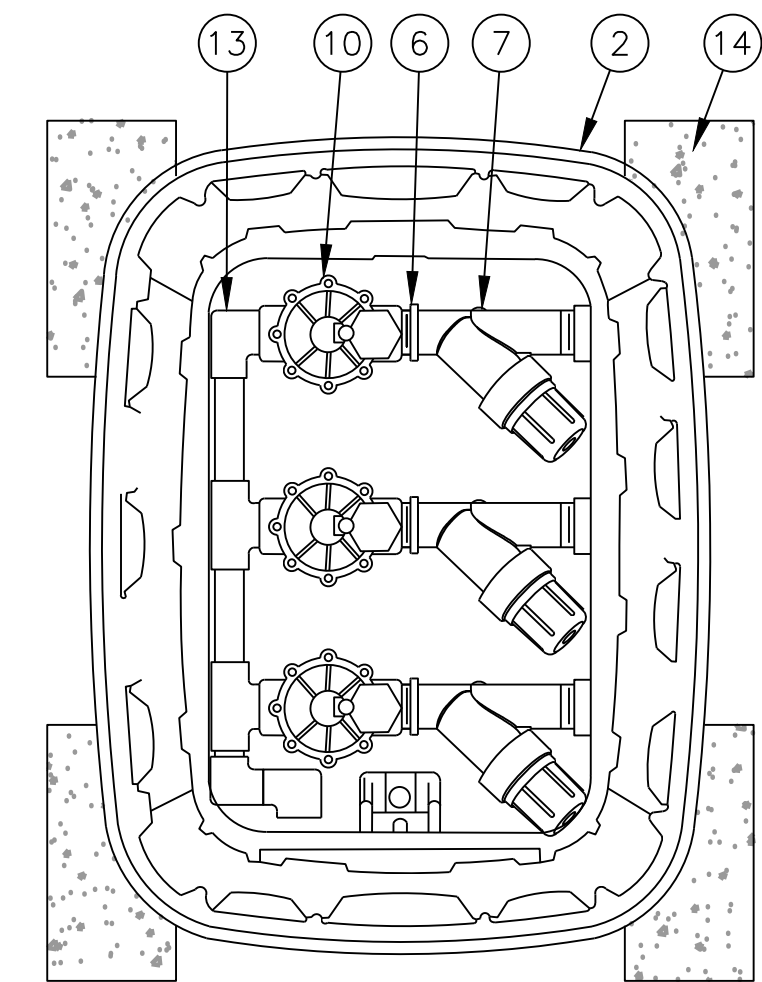
NOTES:

1. DISTANCE BETWEEN LATERAL RINGS AND EMITTER SPACING TO BE BASED ON SOIL TYPE, AND TREE CANOPY. SEE MANUFACTURER DRIPLINE INSTALLATION GUIDE FOR SUGGESTED SPACINGS.
2. PLACE TIE DOWN STAKES EVERY THREE FEET IN SAND, FOUR FEET IN LOAM, AND FIVE FEET IN CLAY.
3. AT FITTINGS WHERE THERE IS A CHANGE OF DIRECTION SUCH AS TEES OR ELBOWS, USE TIE-DOWN STAKES ON EACH LEG OF THE CHANGE OF DIRECTION.

DRIPLINE AROUND TREE

NOT TO SCALE

- 1 FINISH GRADE
- 2 STANDARD VALVE BOX WITH COVER: RAIN BIRD VB-STD
- 3 WATERPROOF CONNECTION: RAIN BIRD DB SERIES
- 4 VALVE ID TAG
- 5 30-INCH LINEAR LENGTH OF WIRE, COILED
- 6 1" X 3/4" REDUCING COUPLING (INCLUDED IN XCZ-LF-100-PRF KIT)
- 7 PRESSURE REGULATING FILTER: RAIN BIRD PRF-100-RBY (INCLUDED IN XCZ-LF-100-PRF KIT)
- 8 LATERAL PIPE
- 9 PVC SCH 40 FEMALE ADAPTOR OR REDUCER
- 10 REMOTE CONTROL VALVE: RAIN BIRD LFV-100 (INCLUDED IN XCZ-LF-100-PRF KIT)
- 11 PVC SCH 40 TEE OR ELL TO MANIFOLD
- 12 3-INCH MINIMUM DEPTH OF 3/4-INCH WASHED GRAVEL
- 13 MANIFOLD PIPE AND FITTINGS
- 14 MINIMUM FOUR (4) 4"x8" BRICKS



TOP VIEW

Revision

Title

For

Scale:

Designed

Drawn

Checked

Approved

Date

Job Number

Sheet

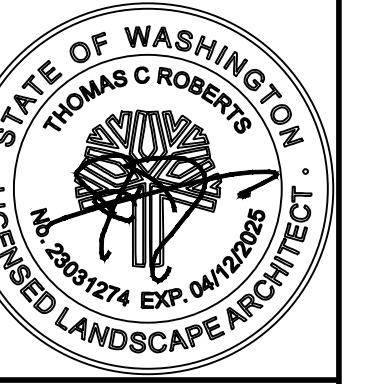
L7 of 8

22856

22856

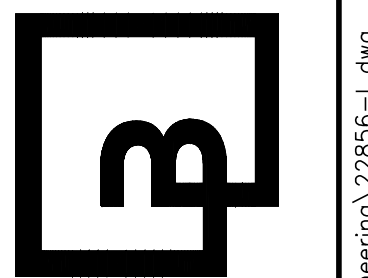
8

HOMWOOD SUITES
111 GATEWAY ENTERPRISES, LLC
9632 6TH WAY SE
LACEY, WA 98513



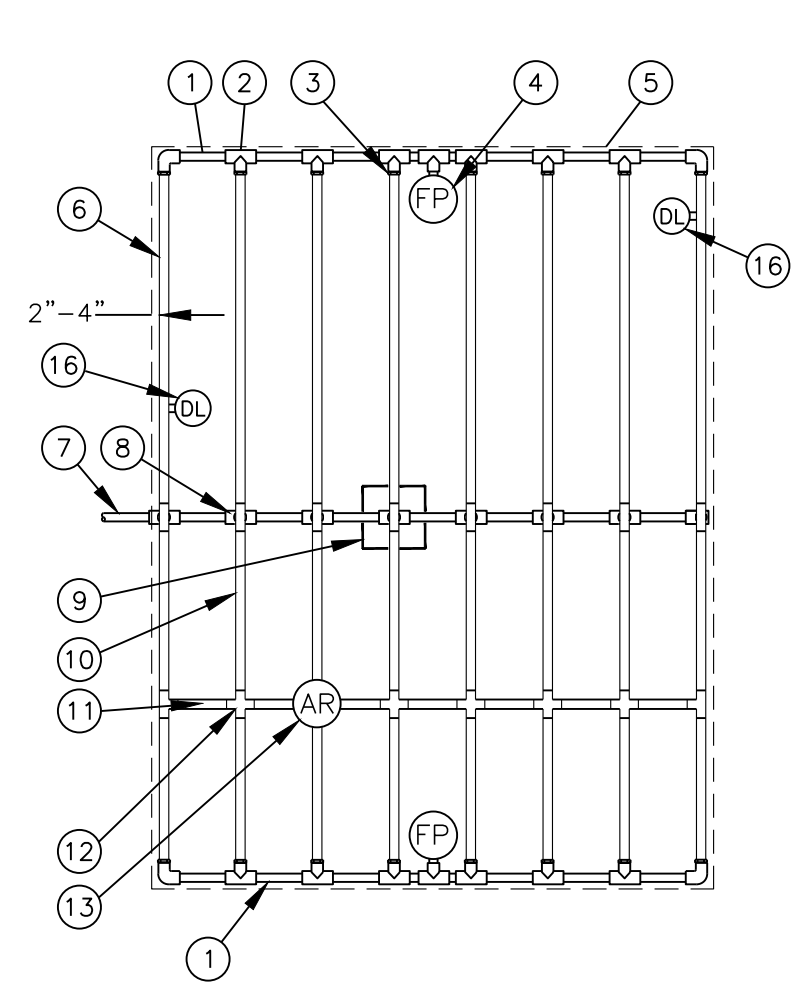
Scale: Horizontal N/A Vertical Vertical
 Designed TCR
 Drawn TCR
 Checked JMW
 Approved TCR
 Date 2/1/2024

Barghausen Consulting Engineers, Inc.
 18215 72nd Avenue South
 Kent, WA 98032
 425.251.6222
barghausen.com



Job Number 22856
 Sheet L7 of 8
 P:\22000s\22856\engineering\22856-Ldwg 2/14/2024 8:55 AM TROBERTS

IRRIGATION DETAILS

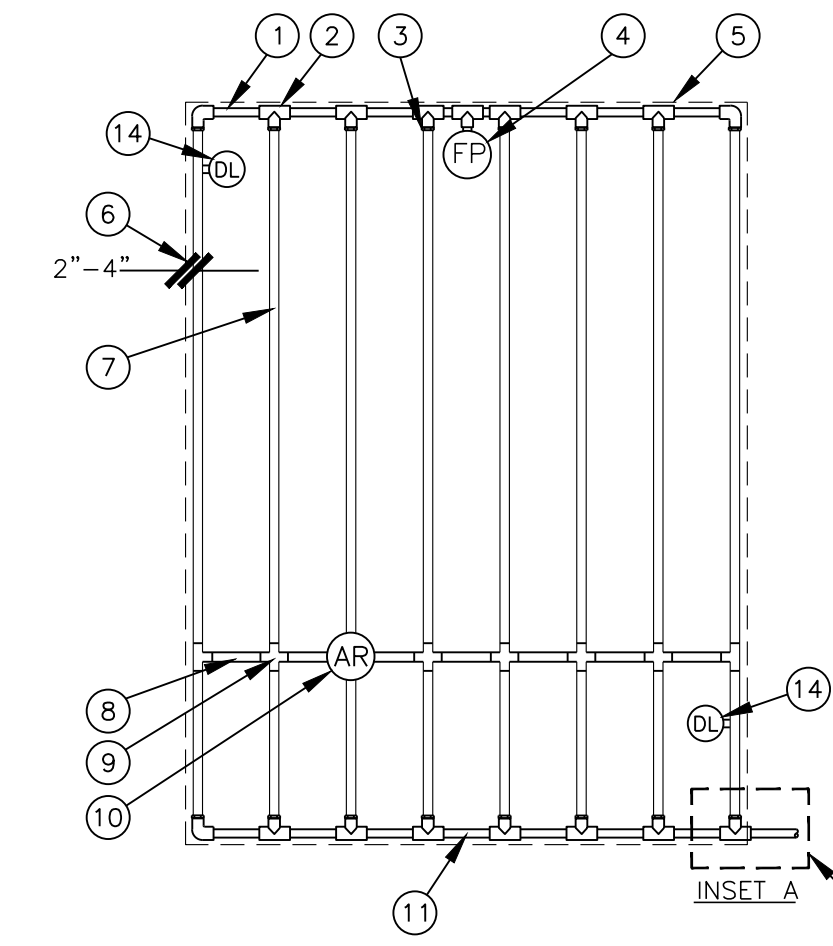


- 1 PVC EXHAUST HEADER
- 2 PVC SCH 40 TEE OR EL (TYPICAL)
- 3 BARB X MALE FITTING
- 4 FLUSH POINT (TYPICAL)
- 5 PERIMETER OF AREA
- 6 PERIMETER DRIPLINE PIPE TO BE INSTALLED 2"-4" FROM PERIMETER OF AREA
- 7 PVC SUPPLY PIPE FROM CONTROL ZONE KIT (SIZED TO MEET LATERAL FLOW DEMAND)
- 8 PVC SUPPLY MANIFOLD
- 9 CONNECTION FROM SUPPLY MANIFOLD TO DRIPLINE (TYPICAL)- SEE INSET A
- 10 SUB-SURFACE DRIPLINE
- 11 BLANK TUBING
- 12 BARB X BARB INSERT TEE OR CROSS
- 13 1/2" AIR RELIEF VALVE
- 14 BARB X FEMALE FITTING
- 15 3/4" PVC NIPPLE, LENGTH AS NECESSARY
- 16 DRIPLINE INDICATOR. SEE DETAIL FOR ADDITIONAL INFORMATION

Inlet Pressure psi	12" Spacing		18" Spacing		24" Spacing	
	Nominal Flow (gph)	Nominal Flow (gph)	Nominal Flow (gph)	Nominal Flow (gph)	Nominal Flow (gph)	Nominal Flow (gph)
15	273	155	314	250	424	322
20	318	169	353	294	508	368
30	360	200	413	350	586	414
40	395	255	465	402	652	474
50	417	285	528	420	720	488
60	460	290	596	455	780	514

- NOTES:
- DISTANCE BETWEEN LATERAL ROWS AND EMITTER SPACING TO BE BASED ON SOIL TYPE, PLANT MATERIALS AND CHANGES IN ELEVATION. SEE IRRIGATION SCHEDULE FOR SPACING.
 - LENGTH OF LONGEST DRIPLINE LATERAL SHOULD NOT EXCEED THE MAXIMUM LENGTH SHOWN IN THE ACCOMPANYING TABLE.
 - AIR RELIEF VALVE TO BE INSTALLED AT HIGH POINT OF AREA.
 - WHEN USING 17MM INSERT FITTINGS WITH DESIGN PRESSURE OVER 50PSI, IT IS RECOMMENDED THAT STAINLESS STEEL CLAMPS BE INSTALLED ON EACH FITTING.

DRIPLINE CENTER FEED LAYOUT
NOT TO SCALE

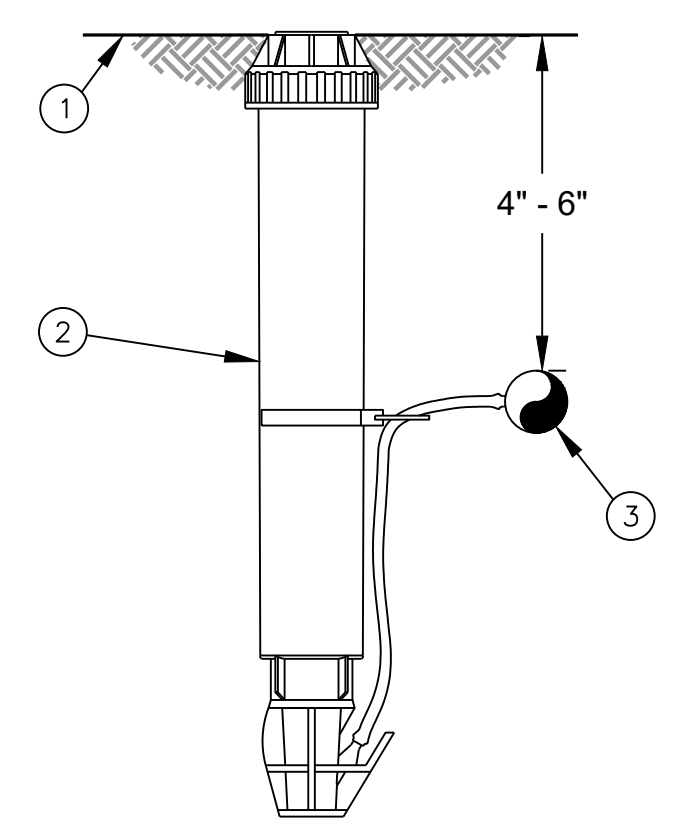


- NOTES:
- DISTANCE BETWEEN LATERAL ROWS AND EMITTER SPACING TO BE BASED ON SOIL TYPE, PLANT MATERIALS AND CHANGES IN ELEVATION. SEE DRIPLINE INSTALLATION GUIDE FOR SUGGESTED SPACINGS.
 - LENGTH OF LONGEST DRIPLINE LATERAL SHOULD NOT EXCEED THE MAXIMUM LENGTH SHOWN IN THE ACCOMPANYING TABLE.
 - AIR RELIEF VALVE TO BE INSTALLED AT HIGH POINT OF AREA.
 - WHEN USING 17MM INSERT FITTINGS WITH DESIGN PRESSURE OVER 50PSI, IT IS RECOMMENDED THAT STAINLESS STEEL CLAMPS BE INSTALLED ON EACH FITTING.

- 1 PVC EXHAUST HEADER
- 2 PVC SCH 40 TEE OR EL (TYPICAL)
- 3 BARB X MALE FITTING
- 4 FLUSH POINT (TYPICAL) SEE RAIN BIRD DETAIL "FLUSH POINT WITH BALL VALVE"
- 5 PERIMETER OF AREA
- 6 PERIMETER DRIPLINE PIPE TO BE INSTALLED 2"-4" FROM PERIMETER OF AREA
- 7 SUB-SURFACE DRIPLINE
- 8 BLANK TUBING
- 9 BARB X BARB INSERT TEE OR CROSS
- 10 1/2" AIR RELIEF VALVE
- 11 PVC SUPPLY HEADER
- 12 PVC DRIP MANIFOLD FROM CONTROL ZONE VALVE KIT (SIZED TO MEET LATERAL FLOW DEMAND)
- 13 PVC SCH 40 RISER PIPE
- 14 DRIPLINE INDICATOR. SEE DETAIL FOR ADD'L INFO

Inlet Pressure psi	12" Spacing		18" Spacing		24" Spacing	
	Nominal Flow (gph)	Nominal Flow (gph)	Nominal Flow (gph)	Nominal Flow (gph)	Nominal Flow (gph)	Nominal Flow (gph)
15	273	155	314	250	424	322
20	318	169	353	294	508	368
30	360	200	413	350	586	414
40	395	255	465	402	652	474
50	417	285	528	420	720	488
60	460	290	596	455	780	514

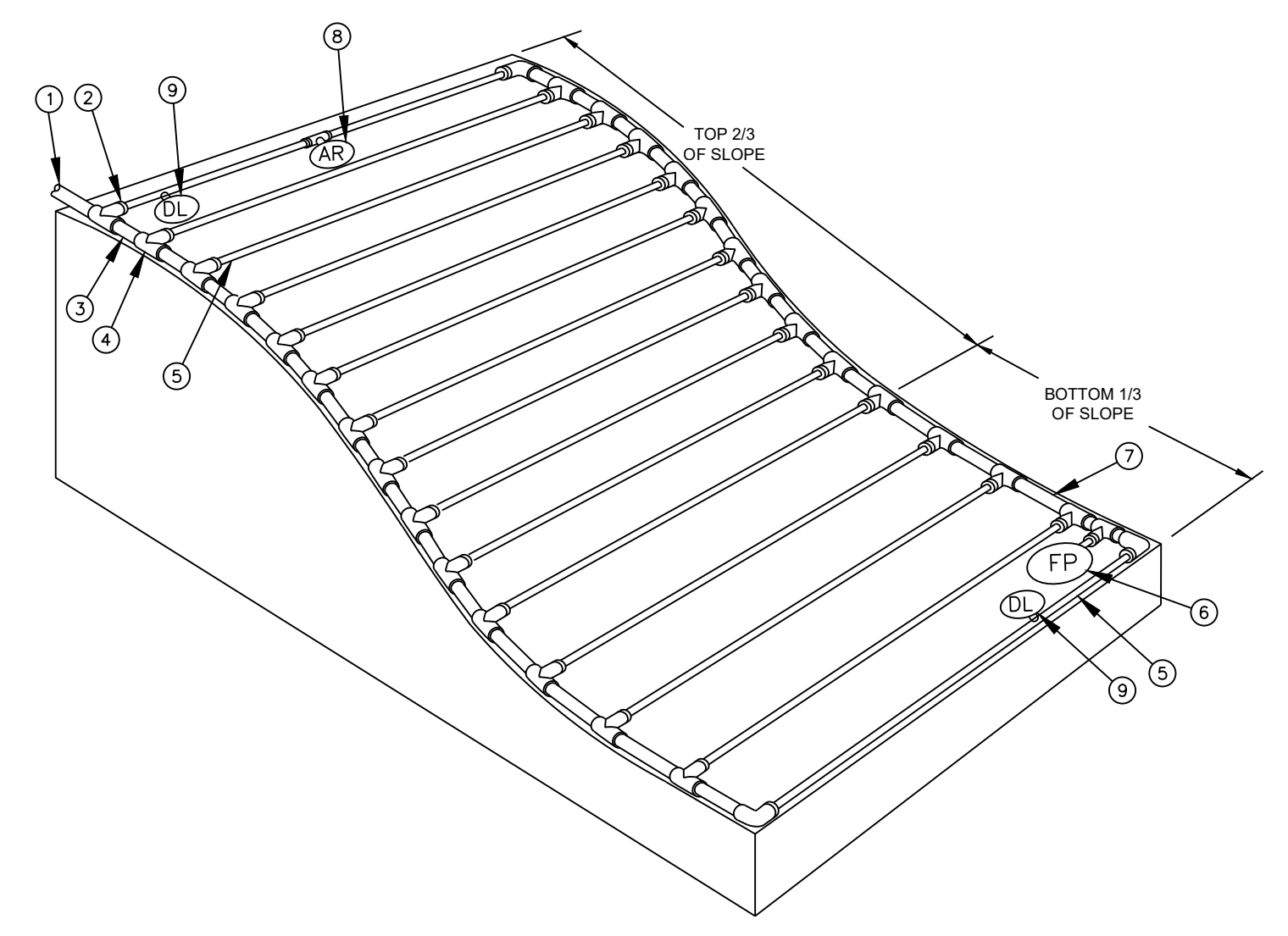
DRIPLINE END FEED LAYOUT
NOT TO SCALE



- 1 FINISH GRADE/TURF
- 2 OPERATION INDICATOR
- 3 SUB-SURFACE DRIPLINE: SEE IRRIGATION SCHEDULE

- NOTE:
- INSERT BARB TRANSFER FITTING DIRECTLY INTO DRIPLINE TUBING.
 - VAN NOZZLE MAY BE SET TO CLOSED, OR IF IT IS DESIRED TO SEE SPRAY FROM THE NOZZLE, SET THE ARC TO 1/4 PATTERN. THE FLOW FROM THE NOZZLE, 0.3 GPM, SHOULD BE ACCOUNTED FOR IN THE SYSTEM DESIGN.

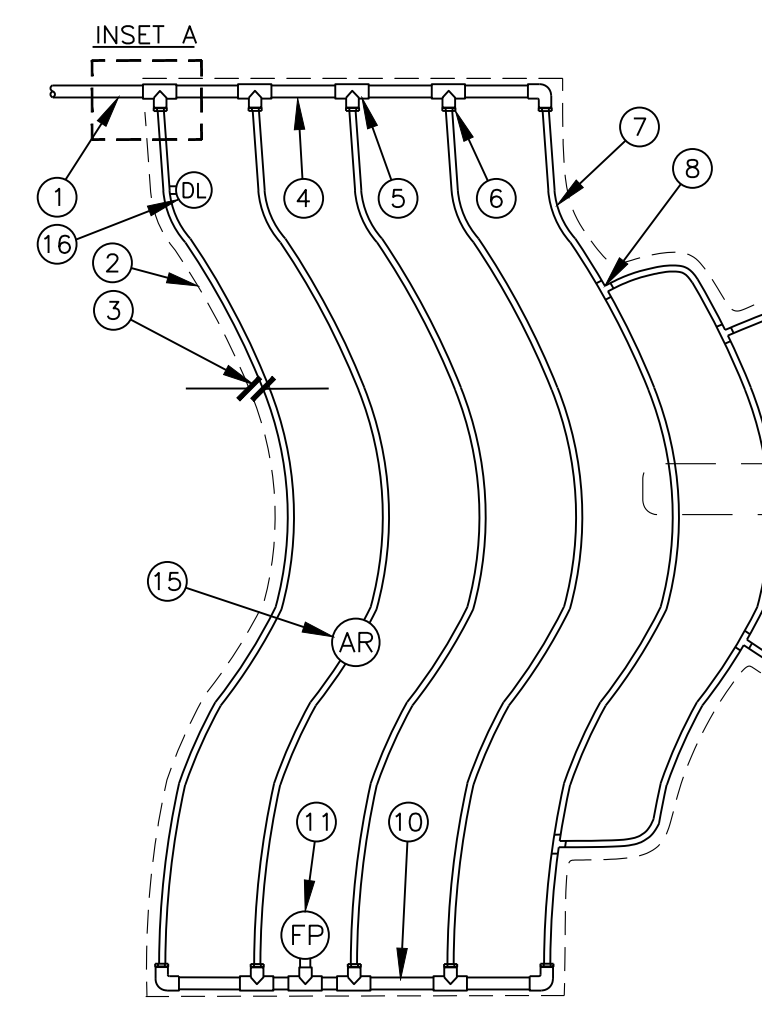
DRIP IRRIGATION DRIPLINE INDICATOR
NOT TO SCALE



- NOTES:
- DISTANCE BETWEEN LATERAL ROWS AND EMITTER SPACING TO BE BASED ON SOIL TYPE, PLANT MATERIALS AND CHANGES IN ELEVATION. DISTANCE BETWEEN LATERAL ROWS FOR BOTTOM 1/3 OF SLOPE TO BE SPACED GREATER THAN OPTIMAL ROW DISTANCE. SEE MANUFACTURER DRIPLINE INSTALLATION GUIDE FOR SUGGESTED SPACINGS.
 - LENGTH OF LONGEST DRIPLINE LATERAL SHOULD NOT EXCEED THE MAXIMUM LENGTH SHOWN IN THE ACCOMPANYING TABLE.
 - WHEN ELEVATION CHANGE EXCEEDS 8 FEET IT IS RECOMMENDED THAT A NEW DRIPLINE ZONE BE CREATED.
 - INSTALL AIR RELIEF VALVE AT HIGH POINTS IN DRIP LATERAL.
 - WHEN USING 17MM INSERT FITTINGS WITH DESIGN PRESSURE OVER 50PSI, IT IS RECOMMENDED THAT STAINLESS STEEL CLAMPS BE INSTALLED ON EACH FITTING.

- 1 PVC DRIP MANIFOLD FROM CONTROL ZONE VALVE KIT (SIZED TO MEET LATERAL FLOW DEMAND)
- 2 BARB X MALE FITTING
- 3 PVC SUPPLY HEADER
- 4 PVC SCH 40 TEE OR EL (TYPICAL)
- 5 SUB-SURFACE DRIPLINE: SEE IRRIGATION SCHEDULE
- 6 FLUSH POINT: SEE DETAIL
- 7 PVC FLUSH HEADER
- 8 1/2" AIR RELIEF VALVE: RSEE DETAIL
- 9 DRIPLINE INDICATOR. SEE DETAIL FOR ADDITIONAL INFORMATION
- 10 PVC RISER PIPE
- 11 TURF OR MULCH
- 12 FINISH GRADE

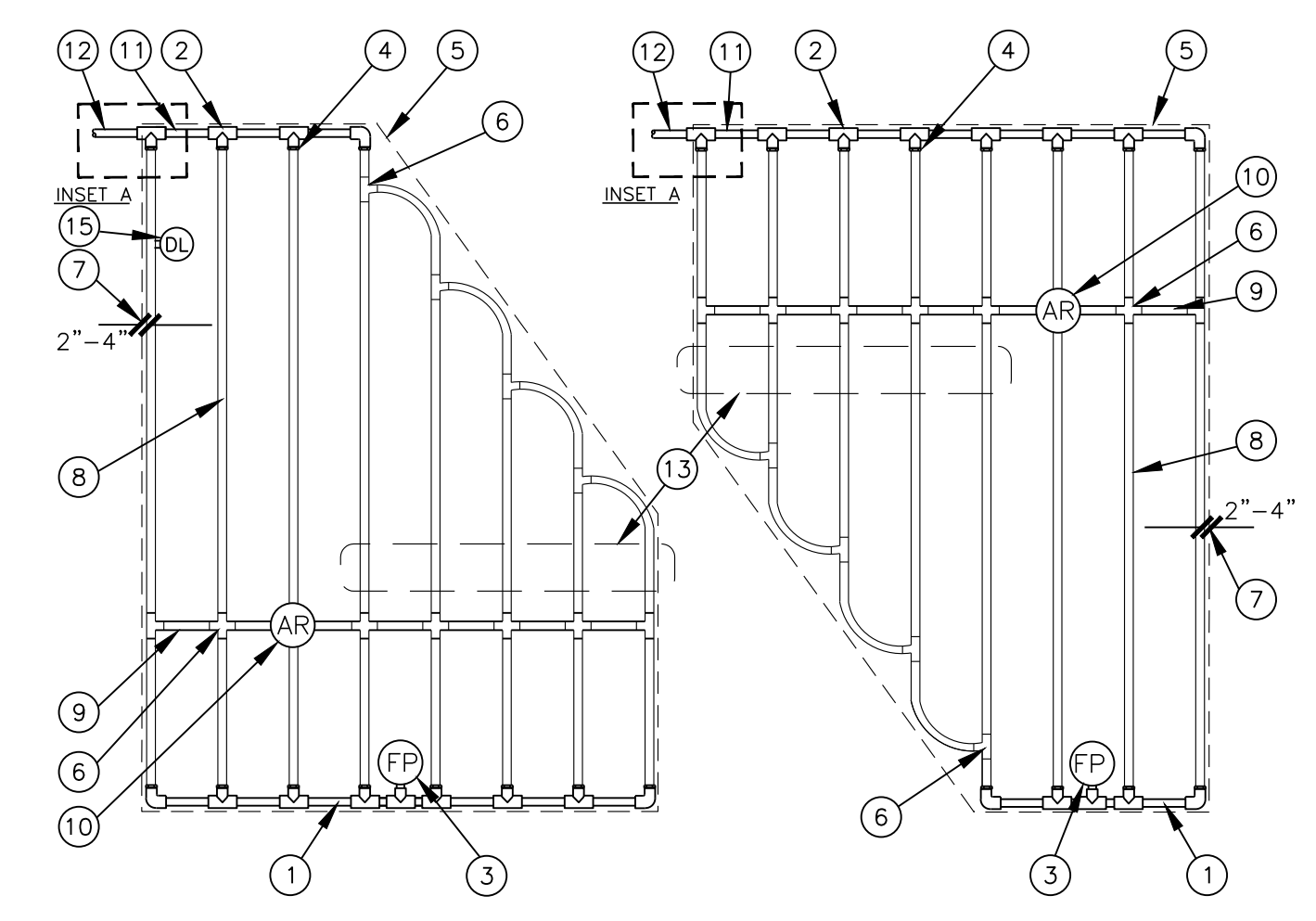
DRIPLINE SLOPED LAYOUT
NOT TO SCALE



- NOTES:
- DISTANCE BETWEEN LATERAL ROWS AND EMITTER SPACING TO BE BASED ON SOIL TYPE, PLANT MATERIALS AND CHANGES IN ELEVATION. SEE INSTALLATION SPECIFICATIONS FOR SPACING.
 - LENGTH OF LONGEST DRIPLINE LATERAL SHOULD NOT EXCEED THE MAXIMUM SPACING SHOWN IN THE ACCOMPANYING TABLE.
 - INSTALL AIR RELIEF VALVE AT HIGH POINTS IN DRIP LATERAL.
 - WHEN USING 17MM INSERT FITTINGS WITH DESIGN PRESSURE OVER 50PSI, IT IS RECOMMENDED THAT STAINLESS STEEL CLAMPS BE INSTALLED ON EACH FITTING.

- 1 PVC SUPPLY PIPE FROM RAIN BIRD CONTROL ZONE KIT (SIZED TO MEET LATERAL FLOW DEMAND)
- 2 PERIMETER OF AREA
- 3 PERIMETER DRIPLINE PIPE TO BE INSTALLED 2"-4" FROM PERIMETER OF AREA
- 4 PVC SUPPLY MANIFOLD
- 5 PVC SCH 40 TEE OR EL (TYPICAL)
- 6 BARB X MALE FITTING
- 7 SUB-SURFACE DRIPLINE: SEE IRRIGATION SCHEDULE
- 8 ARB X BARB INSERT TEE
- 9 TOTAL LENGTH OF SELECTED DRIPLINE SHOULD NOT EXCEED LENGTH SHOWN IN TABLE
- 10 PVC FLUSH HEADER
- 11 FLUSH POINT: SEE DETAIL
- 12 PVC RISER PIPE
- 13 TURF OR MULCH
- 14 FINISH GRADE
- 15 1/2" AIR RELIEF VALVE: SEE DETAIL
- 16 DRIPLINE INDICATOR. SEE DETAIL FOR ADD'L INFO

DRIPLINE ODD CURVES LAYOUT
NOT TO SCALE



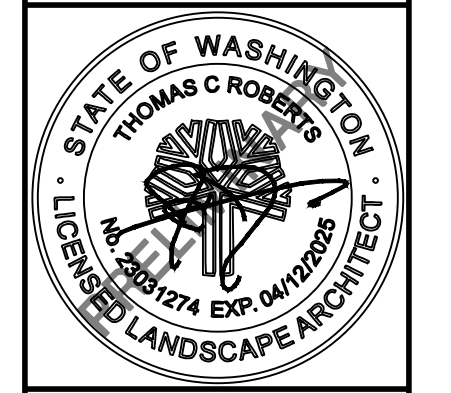
- 1 PVC EXHAUST HEADER
- 2 PVC SCH 40 TEE OR EL (TYPICAL)
- 3 FLUSH POINT (TYPICAL) SEE DETAIL
- 4 BARB X MALE FITTING
- 5 PERIMETER OF AREA
- 6 BARB X BARB INSERT TEE OR CROSS
- 7 PERIMETER DRIPLINE PIPE TO BE INSTALLED 2"-4" FROM PERIMETER OF AREA
- 8 SUB-SURFACE DRIPLINE: SEE IRRIGATION SCHEDULE
- 9 BLANK TUBING
- 10 1/2" AIR RELIEF VALVE: SEE DETAIL
- 11 PVC SUPPLY MANIFOLD
- 12 PVC SUPPLY PIPE FROM CONTROL ZONE KIT (SIZED TO MEET LATERAL FLOW DEMAND)
- 13 TOTAL LENGTH OF SELECTED DRIPLINE SHOULD NOT EXCEED LENGTH SHOWN IN TABLE
- 14 PVC SCH 40 RISER PIPE
- 15 DRIPLINE INDICATOR. SEE DETAIL FOR ADD'L INFO

- NOTES:
- DISTANCE BETWEEN LATERAL ROWS AND EMITTER SPACING TO BE BASED ON SOIL TYPE, PLANT MATERIALS AND CHANGES IN ELEVATION. SEE MANUFACTURER DRIPLINE INSTALLATION GUIDE FOR SUGGESTED SPACINGS.
 - LENGTH OF LONGEST DRIPLINE LATERAL SHOULD NOT EXCEED THE MAXIMUM LENGTH SHOWN IN THE ACCOMPANYING TABLE.
 - AIR RELIEF VALVE TO BE INSTALLED AT HIGH POINT OF AREA.
 - WHEN USING 17MM INSERT FITTINGS WITH DESIGN PRESSURE OVER 50PSI, IT IS RECOMMENDED THAT STAINLESS STEEL CLAMPS BE INSTALLED ON EACH FITTING.

DRIPLINE IRREGULAR SHAPED LAYOUT
NOT TO SCALE

Revision
Appr.
By
Date

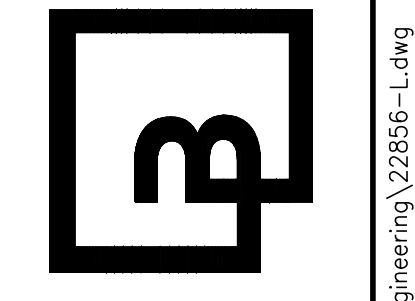
For:
HOMWOOD SUITES
111 GATEWAY ENTERPRISES, LLC
9632 6TH WAY SE
LACEY, WA 98513



Scale:
Horizontal N/A
Vertical

Designed TCR
Drawn TCR
Checked JMW
Approved TCR
Date 2/1/2024

Barghausen Consulting Engineers, Inc.
 18215 72nd Avenue South
 Kent, WA 98032
 425.251.6222
barghausen.com



Job Number
22856

Sheet
L8 of 8

P:\22000s\22856\engineering\22856-Ldwg 2/14/2024 8:55 AM TROBERTS